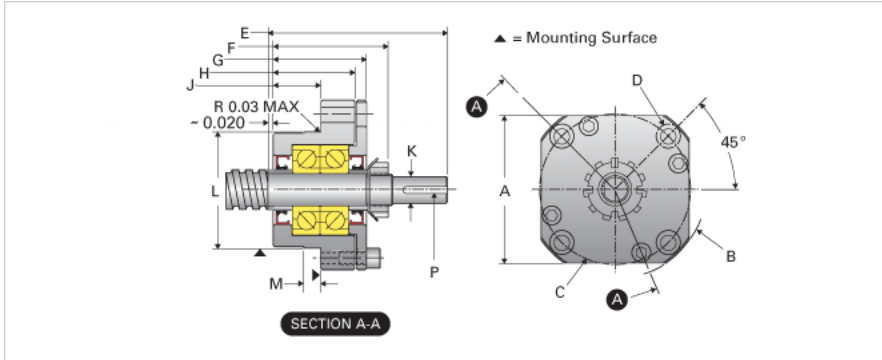
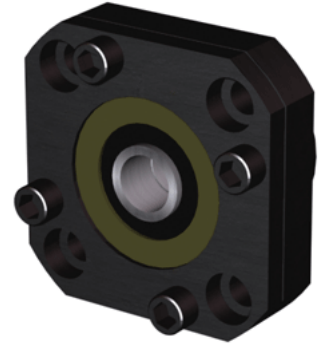


EZZE-MOUNT EZF-2030

Call 800-321-7800 or visit us online at www.nookindustries.com to configure and order your EZZE-MOUNT EZF-2030 today!



Product Info

| | |
|-----------------------------------|----------|
| Part Number | EZF-2030 |
| Machined End Code | 30 |
| Nominal Bearing Journal Size [mm] | 30 |

Dimensions

| | |
|-------------------------------|--------|
| A [in] | 4.38 |
| B - Diameter [in] | 5.31 |
| C Bolt Circle [in] | 4.25 |
| C Bore [in] | 0.81 |
| D Thru [in] | 0.531 |
| E [in] | 4.86 |
| F [in] | 3.05 |
| G [in] | 2.36 |
| H [in] | 1.94 |
| J [in] | 1.19 |
| K Shaft Diameter Maximum [in] | 1.000 |
| K Shaft Diameter Minimum [in] | 0.999 |
| L Minimum [in] | 3.1482 |
| L Maximum [in] | 3.1492 |
| M [in] | 0.375 |
| P [in] | 0.250 |
| Q [in] | 0.25 |

Weight

| | |
|-------------|------|
| Weight [lb] | 6.66 |
|-------------|------|