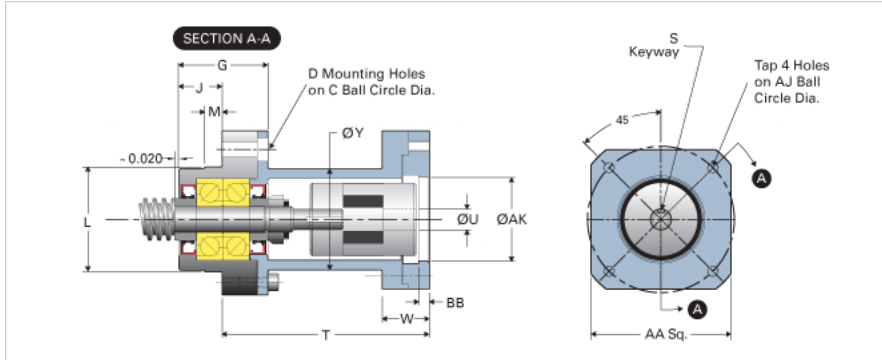


EZZE-MOUNT EZF-3025-42

Call 800-321-7800 or visit us online at www.nookindustries.com to configure and order your EZZE-MOUNT EZF-3025-42 today!



Product Info

| | |
|-----------------------------------|-------------|
| Part Number | EZF-3025-42 |
| Reference Code | Y4 |
| Machined End Code | 25 |
| Nema Frame Reference | 42 |
| Nominal Bearing Journal Size [mm] | 25 |

Dimensions

| | |
|-------------------------------|---------|
| A [in] | 4.38 |
| AA [in] | 4.50 |
| AJ [in] | 5.000 |
| AK Maximum [in] | 2.508 |
| AK Minimum [in] | 2.504 |
| B - Diameter [in] | 5.31 |
| BB [in] | 0.19 |
| C Bolt Circle [in] | 4.25 |
| C'Bore [in] | 0.81 |
| D Thru [in] | 0.531 |
| E [in] | 4.45 |
| F [in] | 2.89 |
| G [in] | 2.36 |
| H [in] | 1.94 |
| J [in] | 1.19 |
| K Shaft Diameter Maximum [in] | 0.750 |
| K Shaft Diameter Minimum [in] | 0.749 |
| L Maximum [in] | 3.1482 |
| L Minimum [in] | 3.1492 |
| M [in] | 0.375 |
| P [in] | 0.188 |
| Q [in] | 0.25 |
| S [in] | 0.188 |
| T [in] | 5.98 |
| U [in] | 0.63 |
| W [in] | 2.41 |
| Y [in] | 3.00 |
| TAP | 1/4"-20 |