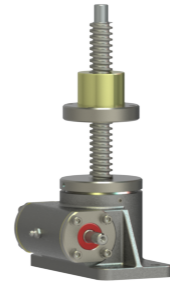
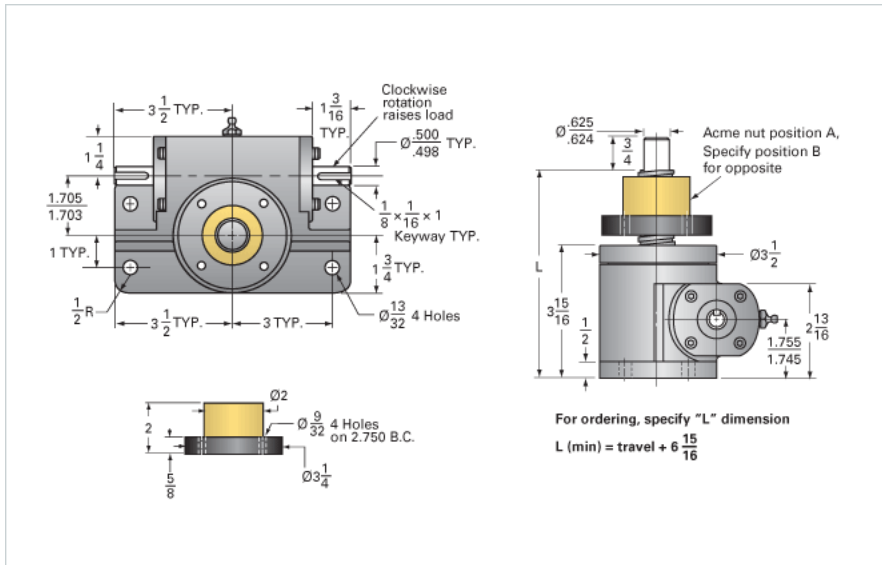


ActionJac 2SS-MSJ-UR 24:1

Call 800-321-7800 or visit us online at www.nookindustries.com to configure and order your ActionJac 2SS-MSJ-UR 24:1 today!



Details

| | |
|-------------------------------|--------|
| Capacity [Ton] | 0.66 |
| Gear Ratio | 24:1 |
| Turns of Worm per Inch Travel | 96 |
| Torque to Raise 1 lb. [in-lb] | 0.0150 |
| Lifting Screw Diameter [in] | 1.00 |
| Screw Lead [in] | 0.250 |
| Root Diameter [in] | 0.698 |
| Tare Drag Torque [in-lb] | 4 |

Performance Specifications

| | |
|------------------------------|--------------------|
| Maximum Allowable Input [hp] | 0.50 |
| Maximum Input Torque [in-lb] | 14 |
| Maximum Load at 1750 RPM | 1320 |
| Starting Torque | 2 x Running Torque |

Weight

| | |
|-------------------------|------|
| Base 0 Travel [lb] | 17 |
| Per Inch of Travel [lb] | 0.50 |
| Grease [lb] | 0.5 |