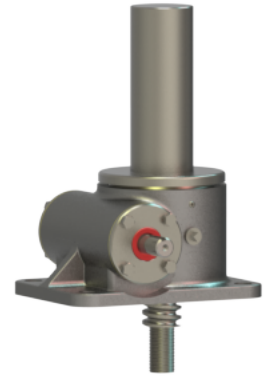
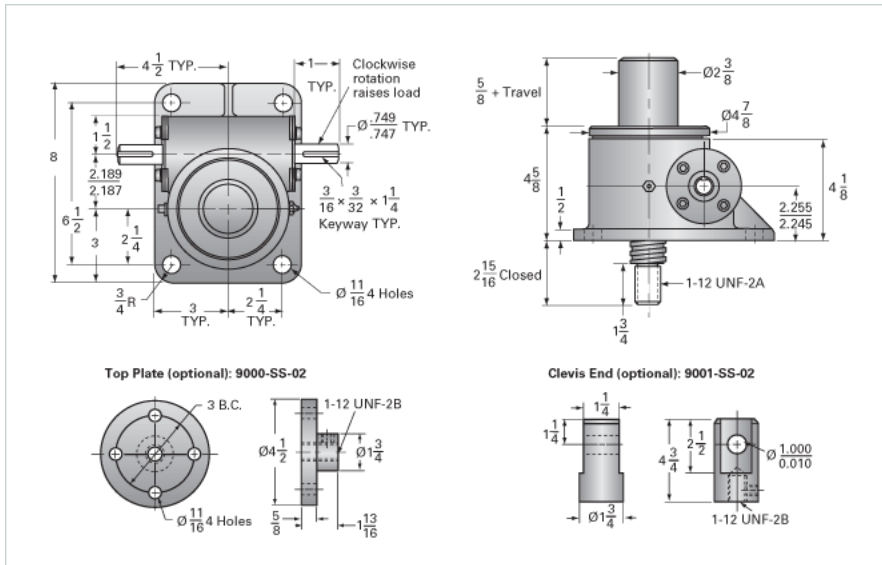


ActionJac 5SS-MSJ-I 24:1

Call 800-321-7800 or visit us online at www.nookindustries.com to configure and order your ActionJac 5SS-MSJ-I 24:1 today!



Details

| | |
|-------------------------------|--------|
| Capacity [Ton] | 1.67 |
| Gear Ratio | 24:1 |
| Turns of Worm per Inch Travel | 64 |
| Torque to Raise 1 lb. [in-lb] | 0.0144 |
| Lifting Screw Diameter [in] | 1.50 |
| Screw Lead [in] | 0.375 |
| Root Diameter [in] | 1.066 |
| Tare Drag Torque [in-lb] | 10 |

Performance Specifications

| | |
|------------------------------|--------------------|
| Maximum Allowable Input [hp] | 0.75 |
| Maximum Input Torque [in-lb] | 48 |
| Maximum Load at 1750 RPM | 1875 |
| Starting Torque | 2 x Running Torque |

Weight

| | |
|-------------------------|------|
| Base 0 Travel [lb] | 32 |
| Per Inch of Travel [lb] | 0.70 |
| Grease [lb] | 1.0 |