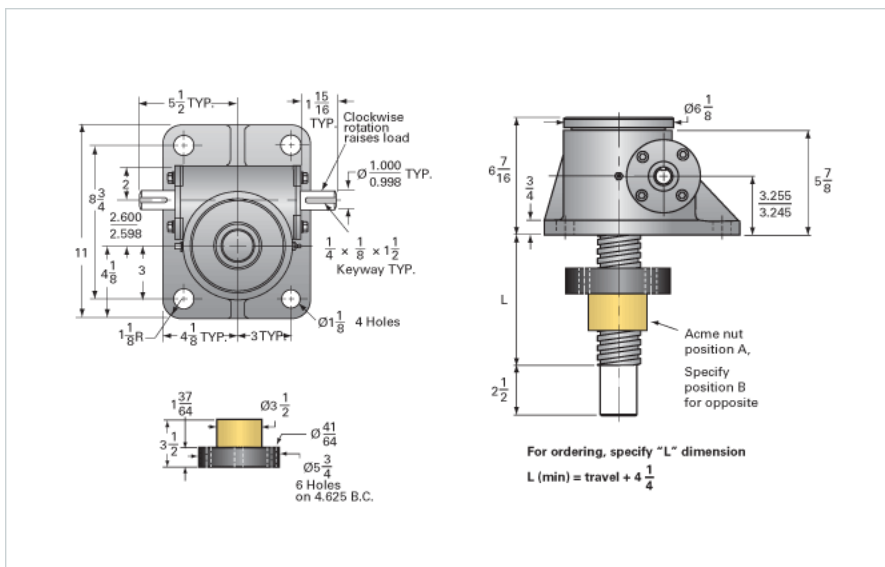
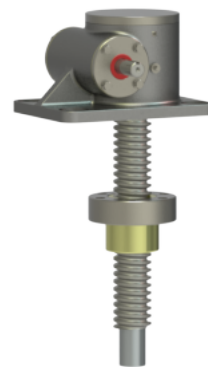


## ActionJac 20SS-MSJ-IR 8:1

Call 800-321-7800 or visit us online at [www.nookindustries.com](http://www.nookindustries.com) to configure and order your ActionJac 20SS-MSJ-IR 8:1 today!



### Details

|                               |        |
|-------------------------------|--------|
| Capacity [Ton]                | 6.66   |
| Gear Ratio                    | 8:1    |
| Turns of Worm per Inch Travel | 16     |
| Torque to Raise 1 lb. [in-lb] | 0.0435 |
| Lifting Screw Diameter [in]   | 2.50   |
| Screw Lead [in]               | 0.500  |
| Root Diameter [in]            | 1.908  |
| Tare Drag Torque [in-lb]      | 40     |

### Performance Specifications

|                              |                    |
|------------------------------|--------------------|
| Maximum Allowable Input [hp] | 5.00               |
| Maximum Input Torque [in-lb] | 580                |
| Maximum Load at 1750 RPM     | 4140               |
| Starting Torque              | 2 x Running Torque |

### Weight

|                         |      |
|-------------------------|------|
| Base 0 Travel [lb]      | 85   |
| Per Inch of Travel [lb] | 2.00 |
| Grease [lb]             | 2.3  |