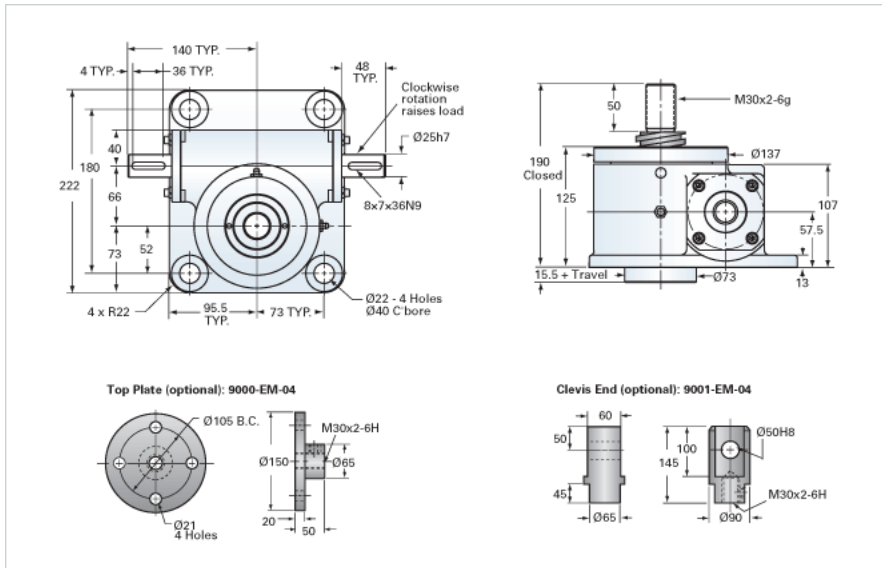


ActionJac EM10-MSJ-U 24:1

Call 800-321-7800 or visit us online at www.nookindustries.com to configure and order your ActionJac EM10-MSJ-U 24:1 today!



Details

Capacity [kN]	100
Gear Ratio	24:1
Raise for One Turn of Worm [mm]	0.50
Torque to Raise 1 kN [Nm]	0.50
No Load Torque [Nm]	2.26
Lifting Screw Diameter [mm]	55
Screw Lead [mm]	12
Root Diameter [mm]	40.0

Performance Specifications

Maximum Allowable Input [kW]	1.10
Maximum Input Torque [Nm]	50.00
Maximum Load at 1425 RPM [kN]	14.8
Maximum Worm Speed at Rated Load [rpm]	250
Starting Torque	2 x Running Torque

Weight

Base 0 Travel [kg]	20.40
Per 100mm of Travel [kg]	1.46
Grease [kg]	0.68