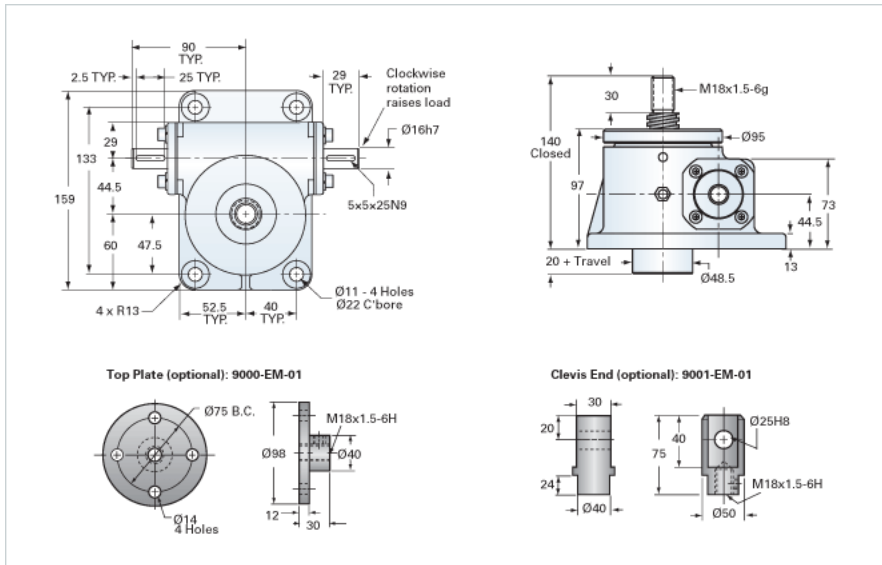


ActionJac EM2.5-MSJ-U 24:1

Call 800-321-7800 or visit us online at www.nookindustries.com to configure and order your ActionJac EM2.5-MSJ-U 24:1 today!



Details

| | |
|---------------------------------|------|
| Capacity [kN] | 25 |
| Gear Ratio | 24:1 |
| Raise for One Turn of Worm [mm] | 0.25 |
| Torque to Raise 1 kN [Nm] | 0.25 |
| No Load Torque [Nm] | 0.56 |
| Lifting Screw Diameter [mm] | 26 |
| Screw Lead [mm] | 6 |
| Root Diameter [mm] | 17.8 |

Performance Specifications

| | |
|--|--------------------|
| Maximum Allowable Input [kW] | 0.38 |
| Maximum Input Torque [Nm] | 6.30 |
| Maximum Load at 1425 RPM [kN] | 10.1 |
| Maximum Worm Speed at Rated Load [rpm] | 575 |
| Starting Torque | 2 x Running Torque |

Weight

| | |
|--------------------------|------|
| Base 0 Travel [kg] | 7.70 |
| Per 100mm of Travel [kg] | 0.32 |
| Grease [kg] | 0.22 |