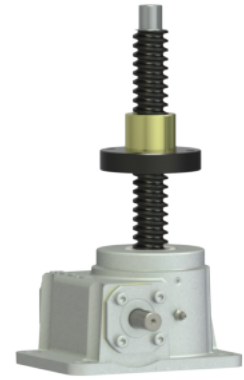
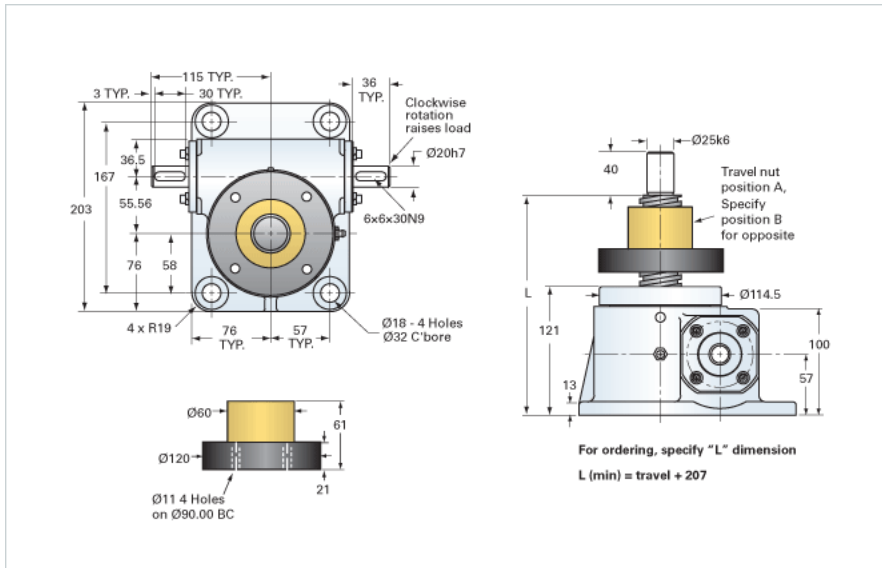


ActionJac EM5-MSJ-UR 24:1

Call 800-321-7800 or visit us online at www.nookindustries.com to configure and order your ActionJac EM5-MSJ-UR 24:1 today!



Details

| | |
|---------------------------------|------|
| Capacity [kN] | 50 |
| Gear Ratio | 24:1 |
| Raise for One Turn of Worm [mm] | 0.29 |
| Torque to Raise 1 kN [Nm] | 0.32 |
| No Load Torque [Nm] | 1.13 |
| Lifting Screw Diameter [mm] | 40 |
| Screw Lead [mm] | 7 |
| Root Diameter [mm] | 30.9 |

Performance Specifications

| | |
|--|--------------------|
| Maximum Allowable Input [kW] | 0.51 |
| Maximum Input Torque [Nm] | 16.00 |
| Maximum Load at 1425 RPM [kN] | 10.7 |
| Maximum Worm Speed at Rated Load [rpm] | 300 |
| Starting Torque | 2 x Running Torque |

Weight

| | |
|--------------------------|-------|
| Base 0 Travel [kg] | 13.60 |
| Per 100mm of Travel [kg] | 0.81 |
| Grease [kg] | 0.45 |