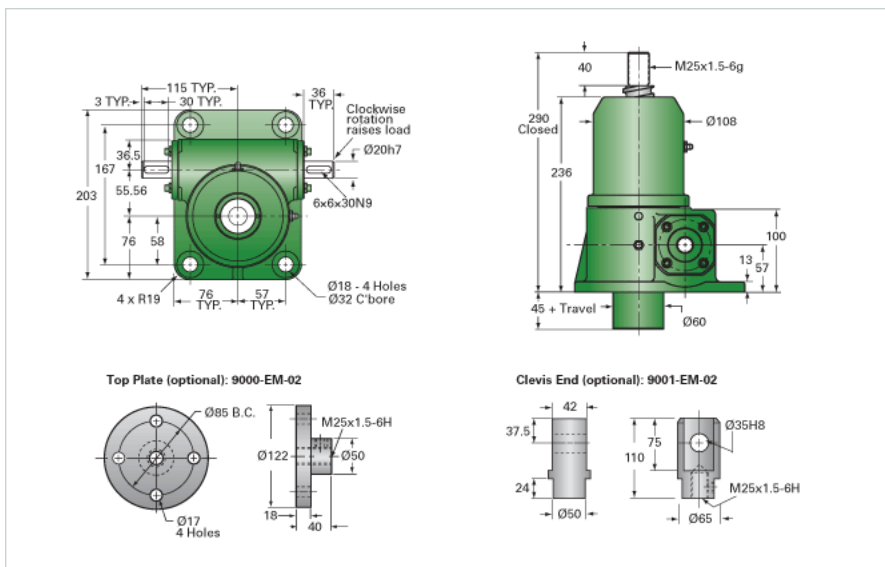


## ActionJac EM5-BSJ-U 24:1

Call 800-321-7800 or visit us online at [www.nookindustries.com](http://www.nookindustries.com) to configure and order your ActionJac EM5-BSJ-U 24:1 today!



### Details

|                                 |      |
|---------------------------------|------|
| Capacity [kN]                   | 50   |
| Gear Ratio                      | 24:1 |
| Raise for One Turn of Worm [mm] | 0.42 |
| Torque to Raise 1 kN [Nm]       | 0.15 |
| No Load Torque [Nm]             | 1.13 |
| Lifting Screw Diameter [mm]     | 40   |
| Screw Lead [mm]                 | 10   |
| Root Diameter [mm]              | 34.8 |
| BackDrive Holding Torque [Nm]   | 6.5  |

### Performance Specifications

|                                        |                      |
|----------------------------------------|----------------------|
| Maximum Allowable Input [kW]           | 0.56                 |
| Maximum Input Torque [Nm]              | 7.70                 |
| Maximum Load at 1425 RPM [kN]          | 24.4                 |
| Maximum Worm Speed at Rated Load [rpm] | 695                  |
| Starting Torque                        | 1.5 x Running Torque |

### Weight

|                          |       |
|--------------------------|-------|
| Base 0 Travel [kg]       | 15.90 |
| Per 100mm of Travel [kg] | 0.93  |
| Grease [kg]              | 0.45  |