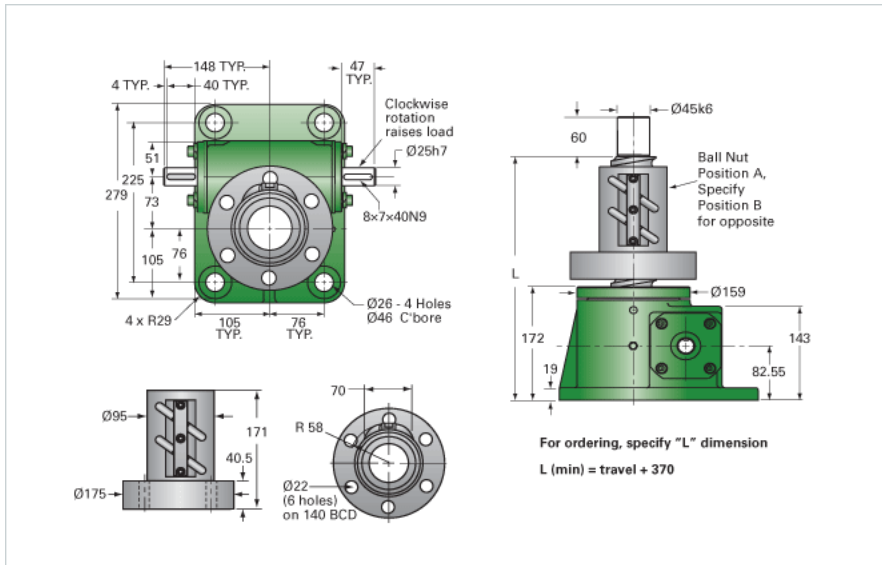


ActionJac EM20-BSJ-UR 24:1

Call 800-321-7800 or visit us online at www.nookindustries.com to configure and order your ActionJac EM20-BSJ-UR 24:1 today!



Details

| | |
|---------------------------------|------|
| Capacity [kN] | 200 |
| Gear Ratio | 24:1 |
| Raise for One Turn of Worm [mm] | 0.50 |
| Torque to Raise 1 kN [Nm] | 0.19 |
| No Load Torque [Nm] | 4.52 |
| Lifting Screw Diameter [mm] | 63 |
| Screw Lead [mm] | 12 |
| Root Diameter [mm] | 57.0 |
| BackDrive Holding Torque [Nm] | 31.0 |

Performance Specifications

| | |
|--|----------------------|
| Maximum Allowable Input [kW] | 1.90 |
| Maximum Input Torque [Nm] | 37.70 |
| Maximum Load at 1425 RPM [kN] | 66.1 |
| Maximum Worm Speed at Rated Load [rpm] | 410 |
| Starting Torque | 1.5 x Running Torque |

Weight

| | |
|--------------------------|-------|
| Base 0 Travel [kg] | 38.60 |
| Per 100mm of Travel [kg] | 2.31 |
| Grease [kg] | 1.00 |