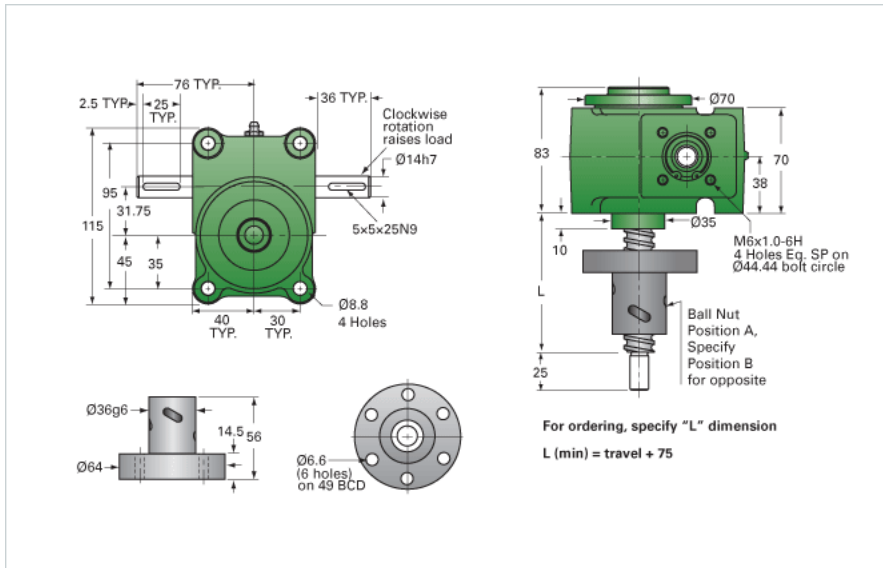


ActionJac EM1-BSJ-IR 20:1

Call 800-321-7800 or visit us online at www.nookindustries.com to configure and order your ActionJac EM1-BSJ-IR 20:1 today!



Details

Capacity [kN]	10
Gear Ratio	20:1
Travel for 1 Turn of Worm [mm]	0.25
Torque to Raise 1 kN [Nm]	0.11
No Load Torque [Nm]	0.34
Lifting Screw Diameter [mm]	20
Screw Lead [mm]	5
Root Diameter [mm]	17.5
BackDrive Holding Torque [Nm]	1.0

Performance Specifications

Maximum Allowable Input [kW]	0.19
Maximum Input Torque [Nm]	1.14
Maximum Load at 1425 RPM [kN]	10
Maximum Worm Speed at Rated Load [rpm]	1585
Starting Torque	1.5 x Running Torque

Weight

Base 0 Travel [kg]	3.60
Per 100mm of Travel [kg]	0.23
Grease [kg]	0.23