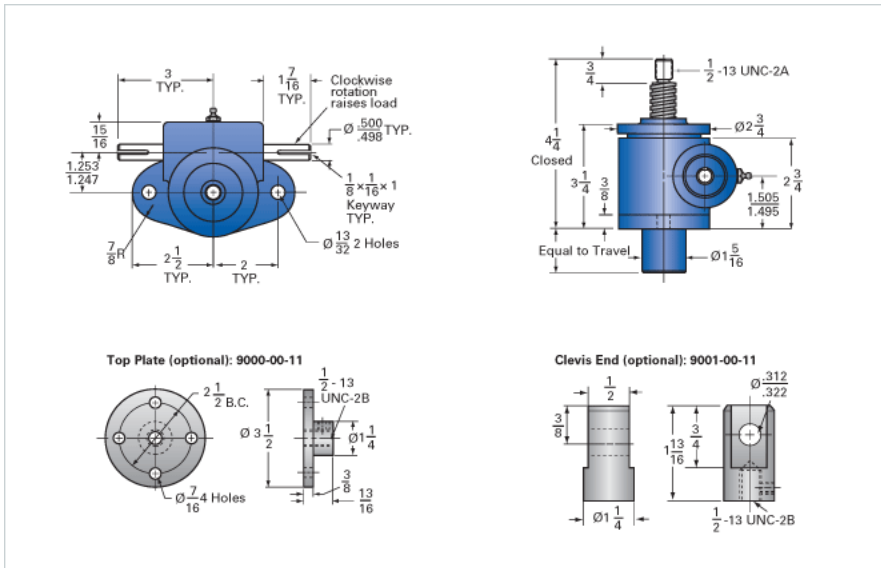


ActionJac 1-MSJ-U 20:1

Call 800-321-7800 or visit us online at www.nookindustries.com to configure and order your ActionJac 1-MSJ-U 20:1 today!



Details

| | |
|-------------------------------|--------|
| Capacity [Ton] | 1 |
| Gear Ratio | 20:1 |
| Turns of Worm per Inch Travel | 100 |
| Torque to Raise 1 lb. [in-lb] | 0.0105 |
| Lifting Screw Diameter [in] | 0.75 |
| Screw Lead [in] | 0.200 |
| Root Diameter [in] | 0.502 |
| Tare Drag Torque [in-lb] | 3 |

Performance Specifications

| | |
|--|--------------------|
| Maximum Allowable Input [hp] | 0.25 |
| Maximum Input Torque [in-lb] | 21 |
| Maximum Worm Speed at Rated Load [rpm] | 750 |
| Maximum Load at 1750 RPM [lb] | 857 |
| Starting Torque | 2 x Running Torque |

Weight

| | |
|-------------------------|------|
| Base 0 Travel [lb] | 5.5 |
| Per Inch of Travel [lb] | 0.30 |
| Grease [lb] | 0.5 |