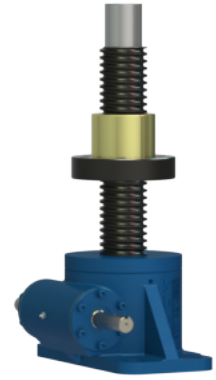
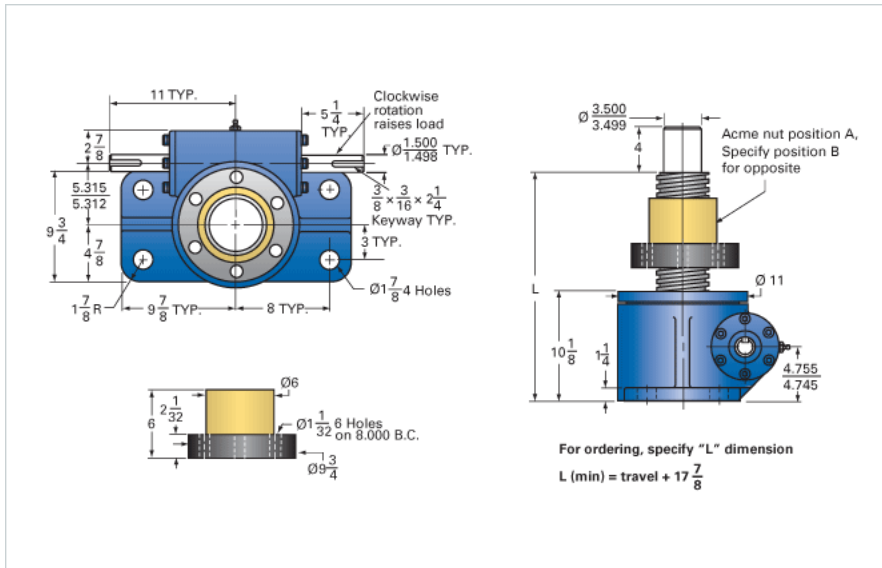


ActionJac 50-MSJ-UR 10 2/3:1

Call 800-321-7800 or visit us online at www.nookindustries.com to configure and order your ActionJac 50-MSJ-UR 10 2/3:1 today!



Details

| | |
|-------------------------------|----------|
| Capacity [Ton] | 50 |
| Gear Ratio | 10 2/3:1 |
| Turns of Worm per Inch Travel | 16 |
| Torque to Raise 1 lb. [in-lb] | 0.0555 |
| Lifting Screw Diameter [in] | 4.50 |
| Screw Lead [in] | 0.667 |
| Root Diameter [in] | 3.782 |
| Tare Drag Torque [in-lb] | 100 |

Performance Specifications

| | |
|--|-------|
| Maximum Allowable Input [hp] | 16.00 |
| Maximum Input Torque [in-lb] | 5555 |
| Maximum Worm Speed at Rated Load [rpm] | 181 |
| Maximum Load at 1750 RPM [lb] | 10382 |