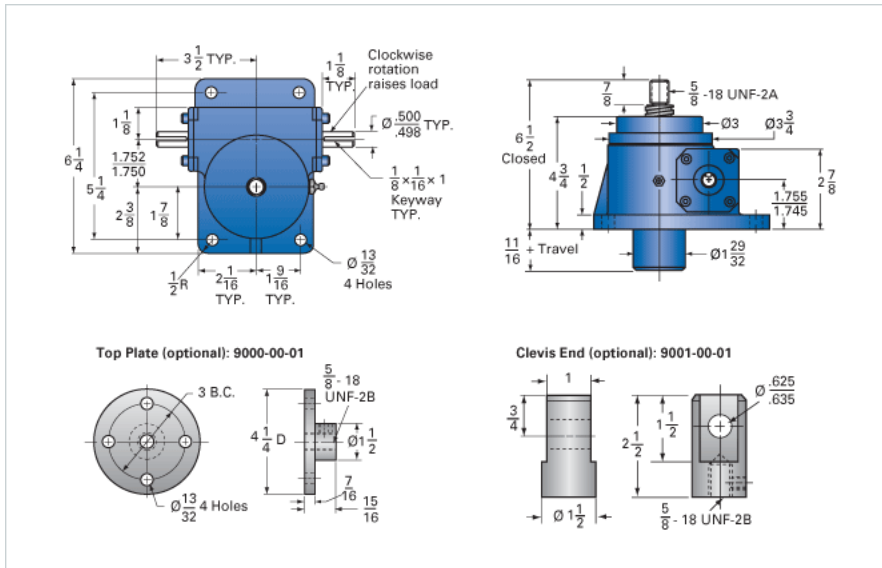


ActionJac 2.5-MSJ-UK 12:1

Call 800-321-7800 or visit us online at www.nookindustries.com to configure and order your ActionJac 2.5-MSJ-UK 12:1 today!



Details

Capacity [Ton]	2.5
Gear Ratio	12:1
Turns of Worm per Inch Travel	48
Torque to Raise 1 lb. [in-lb]	0.0170
Lifting Screw Diameter [in]	1.00
Screw Lead [in]	0.250
Root Diameter [in]	0.698
Tare Drag Torque [in-lb]	5

Performance Specifications

Maximum Allowable Input [hp]	1.50
Maximum Input Torque [in-lb]	74
Maximum Worm Speed at Rated Load [rpm]	1110
Maximum Load at 1750 RPM [lb]	3174
Starting Torque	2 x Running Torque

Weight

Base 0 Travel [lb]	17
Per Inch of Travel [lb]	0.45
Grease [lb]	0.5