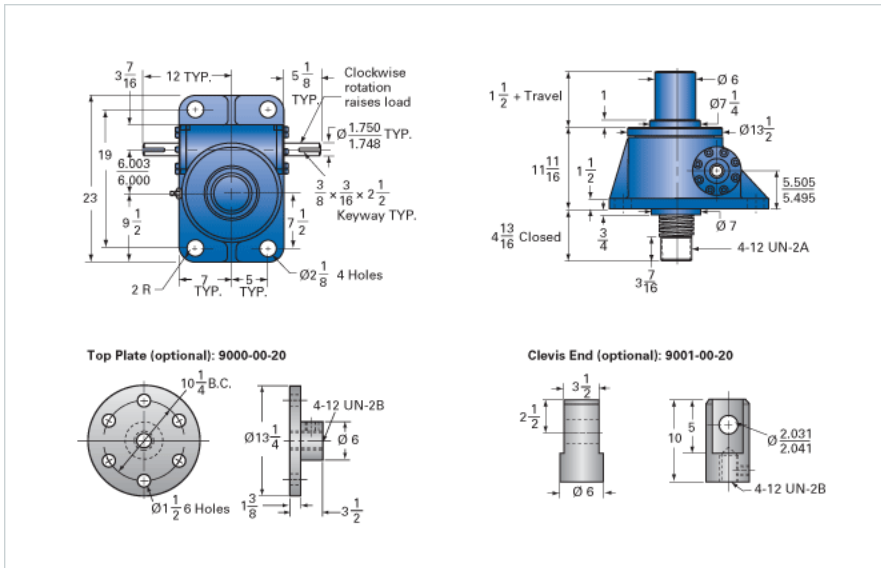


ActionJac 75-MSJ-I 10 2/3:1

Call 800-321-7800 or visit us online at www.nookindustries.com to configure and order your ActionJac 75-MSJ-I 10 2/3:1 today!



Details

| | |
|-------------------------------|----------|
| Capacity [Ton] | 75 |
| Gear Ratio | 10 2/3:1 |
| Turns of Worm per Inch Travel | 16 |
| Torque to Raise 1 lb. [in-lb] | 0.0549 |
| Lifting Screw Diameter [in] | 5.00 |
| Screw Lead [in] | 0.667 |
| Root Diameter [in] | 4.286 |
| Tare Drag Torque [in-lb] | 155 |

Performance Specifications

| | |
|--|--------------------|
| Maximum Allowable Input [hp] | 28.00 |
| Maximum Input Torque [in-lb] | 8236 |
| Maximum Worm Speed at Rated Load [rpm] | 214 |
| Maximum Load at 1750 RPM [lb] | 18368 |
| Starting Torque | 2 x Running Torque |

Weight

| | |
|-------------------------|------|
| Base 0 Travel [lb] | 310 |
| Per Inch of Travel [lb] | 6.50 |
| Grease [lb] | 9.0 |