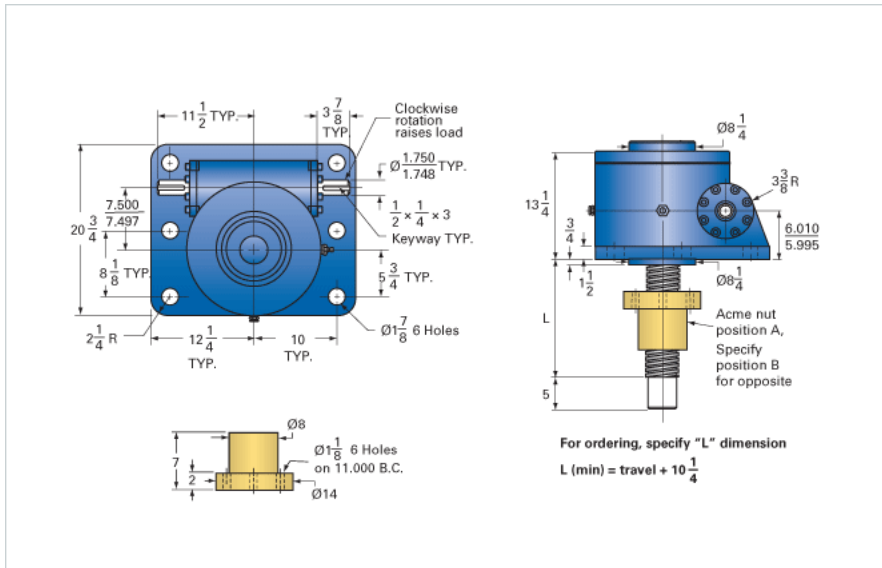
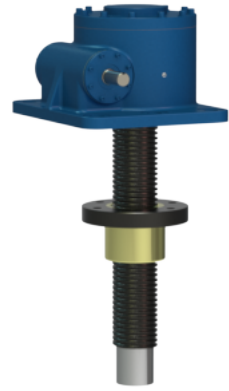


ActionJac 100-MSJ-IR 32:1

Call 800-321-7800 or visit us online at www.nookindustries.com to configure and order your ActionJac 100-MSJ-IR 32:1 today!



Details

Capacity [Ton]	100
Gear Ratio	32:1
Turns of Worm per Inch Travel	48
Torque to Raise 1 lb. [in-lb]	0.0377
Lifting Screw Diameter [in]	6.00
Screw Lead [in]	0.667
Root Diameter [in]	5.254
Tare Drag Torque [in-lb]	205

Performance Specifications

Maximum Allowable Input [hp]	12.50
Maximum Input Torque [in-lb]	7460
Maximum Worm Speed at Rated Load [rpm]	106
Maximum Load at 1750 RPM [lb]	11941
Starting Torque	2 x Running Torque

Weight

Base 0 Travel [lb]	975
Per Inch of Travel [lb]	8.50
Grease [lb]	16.0