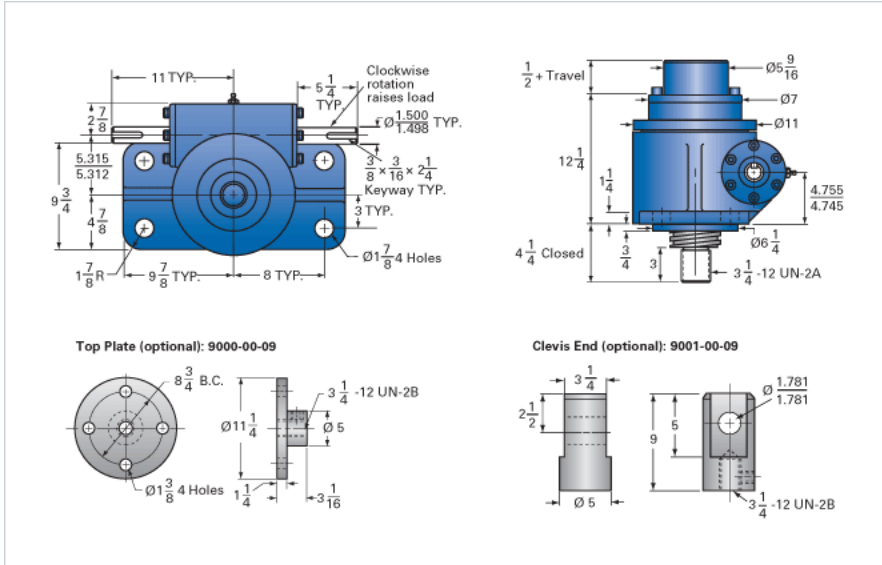


## ActionJac 50-MSJ-IK 10 2/3:1

Call 800-321-7800 or visit us online at [www.nookindustries.com](http://www.nookindustries.com) to configure and order your ActionJac 50-MSJ-IK 10 2/3:1 today!



### Details

|                               |          |
|-------------------------------|----------|
| Capacity [Ton]                | 50       |
| Gear Ratio                    | 10 2/3:1 |
| Turns of Worm per Inch Travel | 16       |
| Torque to Raise 1 lb. [in-lb] | 0.0638   |
| Lifting Screw Diameter [in]   | 4.50     |
| Screw Lead [in]               | 0.667    |
| Root Diameter [in]            | 3.782    |
| Tare Drag Torque [in-lb]      | 100      |

### Performance Specifications

|  |                    |
|--|--------------------|
| Maximum Allowable Input [hp]           | 16.00              |
| Maximum Input Torque [in-lb]           | 5555               |
| Maximum Worm Speed at Rated Load [rpm] | 158                |
| Maximum Load at 1750 RPM [lb]          | 9032               |
| Starting Torque                        | 2 x Running Torque |

### Weight

|                         |      |
|-------------------------|------|
| Base 0 Travel [lb]      | 280  |
| Per Inch of Travel [lb] | 5.00 |
| Grease [lb]             | 5.8  |