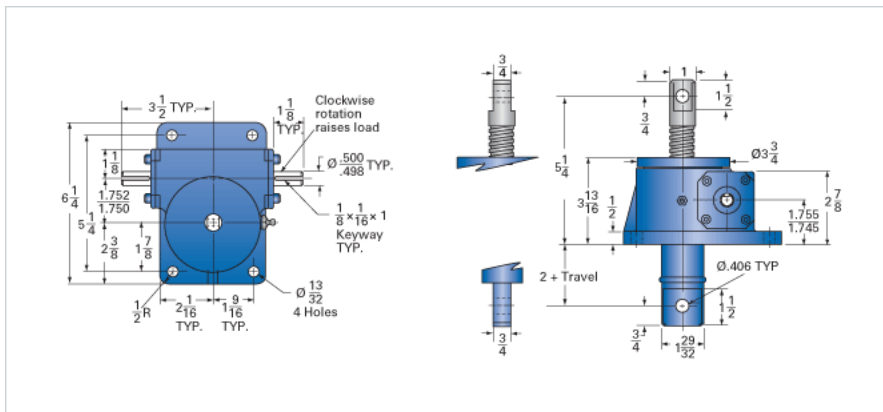


## ActionJac 2.5-MSJ-DC 6:1

Call 800-321-7800 or visit us online at [www.nookindustries.com](http://www.nookindustries.com) to configure and order your ActionJac 2.5-MSJ-DC 6:1 today!



### Details

Capacity [Ton]	2.5
Gear Ratio	6:1
Turns of Worm per Inch Travel	24
Torque to Raise 1 lb. [in-lb]	0.0252
Torque to Raise 1 lb. Keyed [in-lb]	0.0290
Lifting Screw Diameter [in]	1.00
Screw Lead [in]	0.250
Root Diameter [in]	0.698
Tare Drag Torque [in-lb]	5

### Performance Specifications

Maximum Allowable Input [hp]	2.00
Maximum Input Torque [in-lb]	126
Maximum Worm Speed at Rated Load Non-keyed [rpm]	1000
Maximum Worm Speed at Rated Load Keyed [rpm]	869
Maximum Load at 1750 RPM Non-keyed [lb]	2858
Maximum Load at 1750 RPM Keyed [lb]	2483
Starting Torque	2 x Running Torque

### Weight

Base 0 Travel [lb]	17
Per Inch of Travel [lb]	0.45
Grease [lb]	0.5