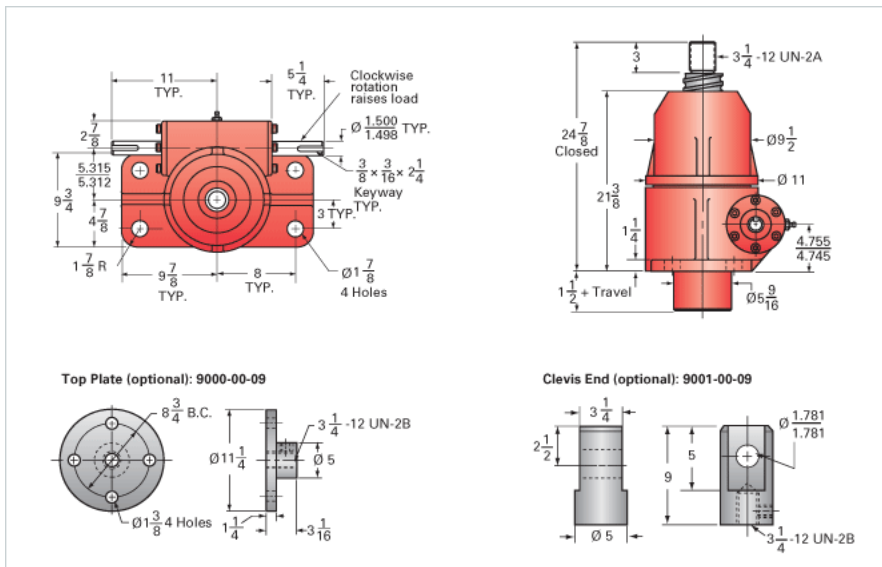


## ActionJac 50-BSJ-U 32:1

Call 800-321-7800 or visit us online at [www.nookindustries.com](http://www.nookindustries.com) to configure and order your ActionJac 50-BSJ-U 32:1 today!



### Details

Capacity [Ton]	50
Gear Ratio	32:1
Turns of Worm per Inch Travel	32
Torque to Raise 1 lb. [in-lb]	0.0139
Lifting Screw Diameter [in]	4.00
Screw Lead [in]	1.000
Root Diameter [in]	3.338
BackDrive Holding Torque [ft-lb]	10
Tare Drag Torque [in-lb]	90

### Performance Specifications

Maximum Allowable Input [hp]	5.00
Maximum Input Torque [in-lb]	1390
Maximum Worm Speed at Rated Load [rpm]	227
Maximum Load at 1750 RPM [lb]	12955
Starting Torque	1.5 x Running Torque

### Weight

Base 0 Travel [lb]	490
Per Inch of Travel [lb]	5.00
Grease [lb]	5.0