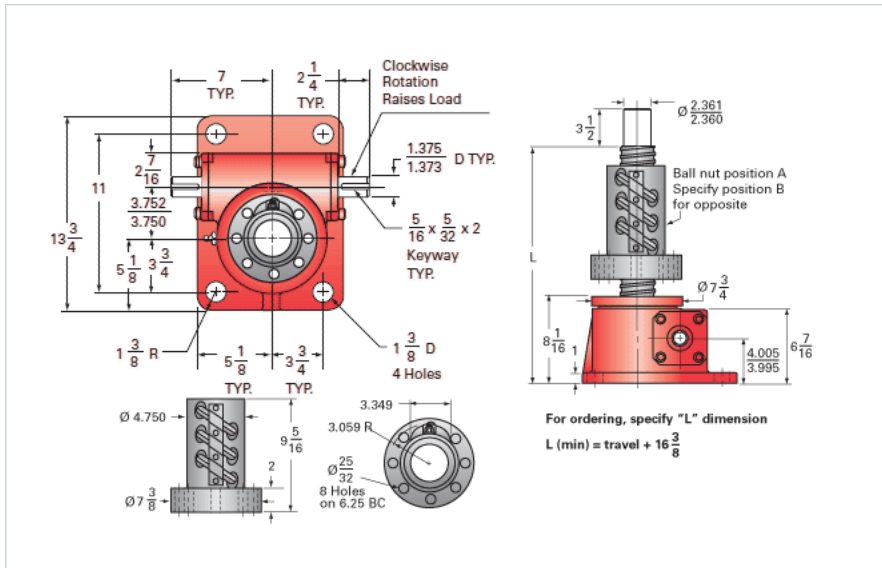


ActionJac 30HL-BSJ-UR 32:1

Call 800-321-7800 or visit us online at www.nookindustries.com to configure and order your ActionJac 30HL-BSJ-UR 32:1 today!



Details

Capacity [Ton]	30
Gear Ratio	32:1
Turns of Worm per Inch Travel	21.33
Torque to Raise 1 lb. [in-lb]	0.0191
Lifting Screw Diameter [in]	3.00
Screw Lead [in]	1.500
Root Diameter [in]	2.480
BackDrive Holding Torque [ft-lb]	15
Tare Drag Torque [in-lb]	60

Performance Specifications

Maximum Allowable Input [hp]	3.50
Maximum Input Torque [in-lb]	1144
Maximum Worm Speed at Rated Load [rpm]	193
Maximum Load at 1750 RPM [lb]	6600
Starting Torque	1.5 x Running Torque

Weight

Base 0 Travel [lb]	220
Per Inch of Travel [lb]	2.40
Grease [lb]	3.5