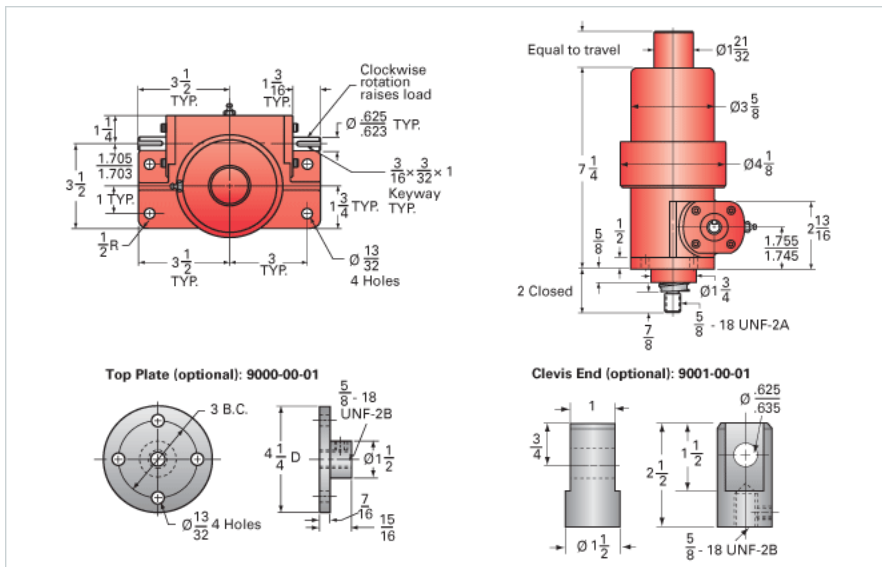


## ActionJac 3-BSJ-I 6:1

Call 800-321-7800 or visit us online at [www.nookindustries.com](http://www.nookindustries.com) to configure and order your ActionJac 3-BSJ-I 6:1 today!



### Details

Capacity [Ton]	3
Gear Ratio	6:1
Turns of Worm per Inch Travel	14.53
Torque to Raise 1 lb. [in-lb]	0.0167
Lifting Screw Diameter [in]	1.17
Screw Lead [in]	0.413
Root Diameter [in]	0.870
BackDrive Holding Torque [ft-lb]	6.0
Tare Drag Torque [in-lb]	6

### Performance Specifications

Maximum Allowable Input [hp]	2.00
Maximum Input Torque [in-lb]	100
Maximum Worm Speed at Rated Load [rpm]	1260
Maximum Load at 1750 RPM [lb]	4313
Starting Torque	1.5 x Running Torque

### Weight

Base 0 Travel [lb]	18.5
Per Inch of Travel [lb]	0.60
Grease [lb]	0.5