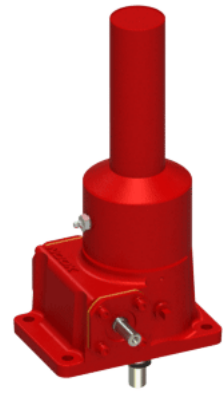
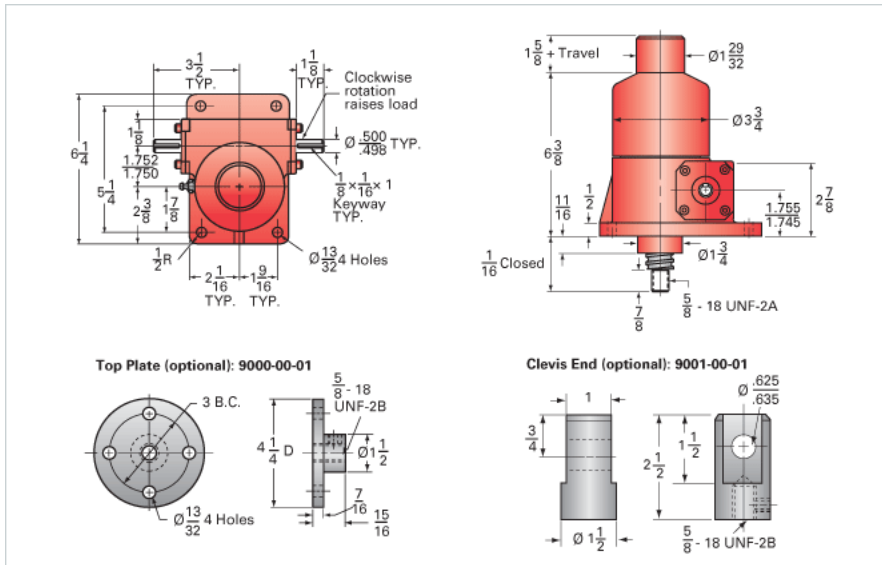


## ActionJac 2.5HL-BSJ-I 6:1

Call 800-321-7800 or visit us online at [www.nookindustries.com](http://www.nookindustries.com) to configure and order your ActionJac 2.5HL-BSJ-I 6:1 today!



### Details

Capacity [Ton]	2.5
Gear Ratio	6:1
Turns of Worm per Inch Travel	6
Torque to Raise 1 lb. [in-lb]	0.0404
Lifting Screw Diameter [in]	1.00
Screw Lead [in]	1.000
Root Diameter [in]	0.820
BackDrive Holding Torque [ft-lb]	14.0
Tare Drag Torque [in-lb]	5

### Performance Specifications

Maximum Allowable Input [hp]	2.00
Maximum Input Torque [in-lb]	202
Maximum Worm Speed at Rated Load [rpm]	624
Maximum Load at 1750 RPM [lb]	1783
Starting Torque	1.5 x Running Torque

### Weight

Base 0 Travel [lb]	17
Per Inch of Travel [lb]	0.60
Grease [lb]	0.5