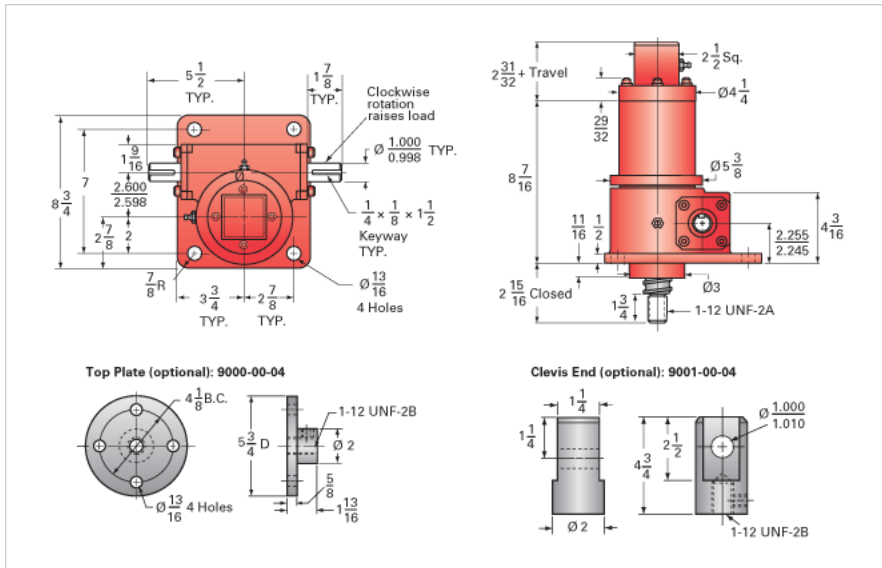


## ActionJac 10HL-BSJ-IK 24:1

Call 800-321-7800 or visit us online at [www.nookindustries.com](http://www.nookindustries.com) to configure and order your ActionJac 10HL-BSJ-IK 24:1 today!



### Details

|                                  |        |
|----------------------------------|--------|
| Capacity [Ton]                   | 10     |
| Gear Ratio                       | 24:1   |
| Turns of Worm per Inch Travel    | 24     |
| Torque to Raise 1 lb. [in-lb]    | 0.0178 |
| Lifting Screw Diameter [in]      | 1.50   |
| Screw Lead [in]                  | 1.000  |
| Root Diameter [in]               | 1.140  |
| BackDrive Holding Torque [ft-lb] | 6.0    |
| Tare Drag Torque [in-lb]         | 20     |

### Performance Specifications

|                                        |                      |
|----------------------------------------|----------------------|
| Maximum Allowable Input [hp]           | 1.50                 |
| Maximum Input Torque [in-lb]           | 323                  |
| Maximum Worm Speed at Rated Load [rpm] | 266                  |
| Maximum Load at 1750 RPM [lb]          | 3044                 |
| Starting Torque                        | 1.5 x Running Torque |

### Weight

|                         |      |
|-------------------------|------|
| Base 0 Travel [lb]      | 50   |
| Per Inch of Travel [lb] | 0.80 |
| Grease [lb]             | 1.5  |