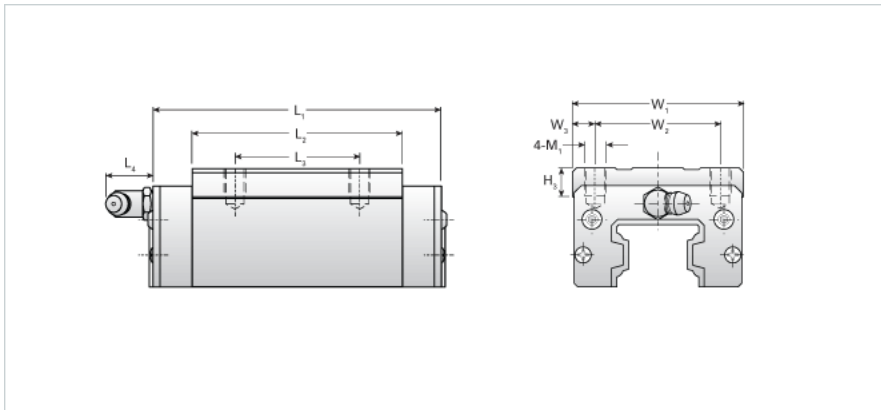
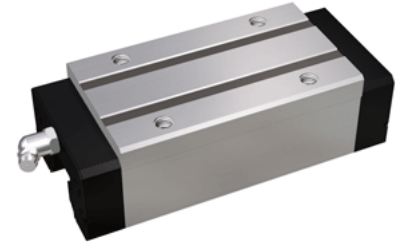


NH25LER

Call 800-321-7800 or visit us online at www.nookindustries.com to configure and order your NH25LER today!



Details	
Size [mm]	25
Dimensions	
L1 [mm]	107
L2 [mm]	83
L3 [mm]	50
L4 [mm]	12
M1 x l	M6X8
H3 [mm]	8
W1 [mm]	48
W2 [mm]	35
W3 [mm]	6.5
Forces and Torques	
Basic Load Ratings C [kN]	27.36
Basic Load Ratings C [lbf]	6149
Basic Load Ratings C0 [kN]	45.88
Basic Load Ratings C0 [lbf]	10314
Static Moment Ratings-Ma [kN-m]	0.47
Static Moment Ratings-Ma [lb-in]	4166
Static Moment Ratings-Mb [kN-m]	0.47
Static Moment Ratings-Mb [lb-in]	4166
Static Moment Ratings-Mc [kN-m]	0.64
Static Moment Ratings-Mc [lb-in]	5642
Weight	
Weight-Block [kg]	0.80
Grease Fitting	
Grease Fitting Part Number	B-M6F