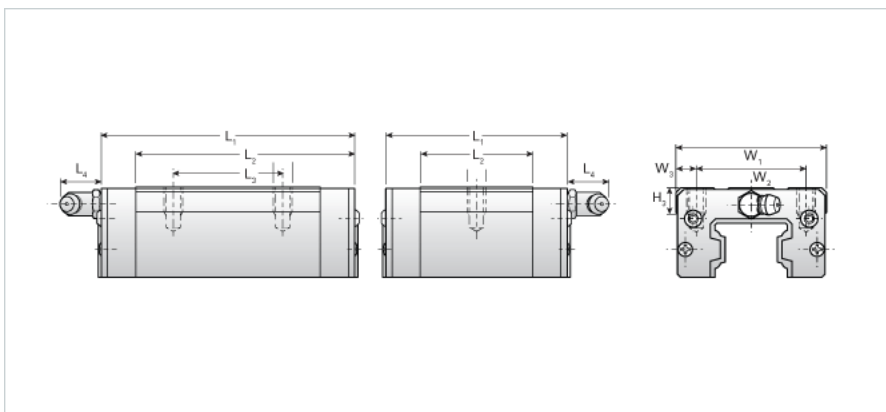
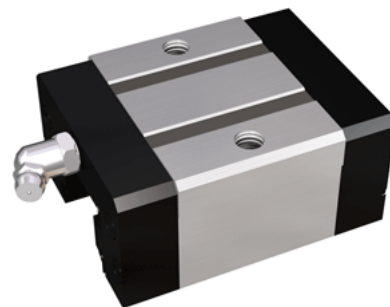


## NU15SER

Call 800-321-7800 or visit us online at [www.nookindustries.com](http://www.nookindustries.com) to configure and order your NU15SER today!



<b>Details</b>	
Size [mm]	15
<b>Dimensions</b>	
L1 [mm]	45
L2 [mm]	25
L4 [mm]	0
M1 x l	M4X5
H3 [mm]	6
W1 [mm]	34
W2 [mm]	26
W3 [mm]	4
<b>Forces and Torques</b>	
Basic Load Ratings C [kN]	5.49
Basic Load Ratings C [lbf]	1234
Basic Load Ratings C0 [kN]	7.35
Basic Load Ratings C0 [lbf]	1653
Static Moment Ratings-Ma [kN-m]	0.03
Static Moment Ratings-Ma [lb-in]	260
Static Moment Ratings-Mb [kN-m]	0.03
Static Moment Ratings-Mb [lb-in]	260
Static Moment Ratings-Mc [kN-m]	0.07
Static Moment Ratings-Mc [lb-in]	608
<b>Weight</b>	
Weight-Block [kg]	0.08
<b>Grease Fitting</b>	
Grease Fitting Part Number	NAS516-1A