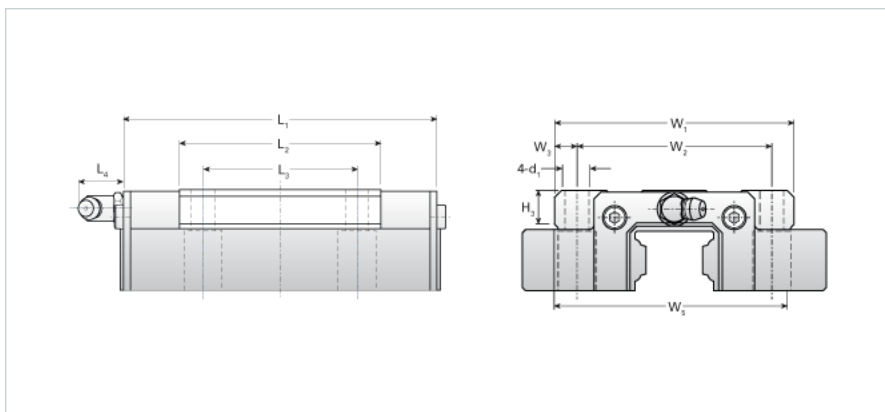
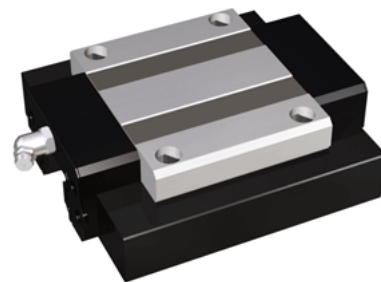


## NH65TB

Call 800-321-7800 or visit us online at [www.nookindustries.com](http://www.nookindustries.com) to configure and order your NH65TB today!



Details	
Size [mm]	65
<b>Dimensions</b>	
L1 [mm]	225
L2 [mm]	148
L3 [mm]	110
L4 [mm]	12
d1 x l	M16x29
H3 [mm]	20
W1 [mm]	170
W2 [mm]	142
W3 [mm]	14
W5 [mm]	207
<b>Forces and Torques</b>	
Basic Load Ratings C [kN]	141.11
Basic Load Ratings C [lbf]	31714
Basic Load Ratings C0 [kN]	215.15
Basic Load Ratings C0 [lbf]	48354
Static Moment Ratings-Ma [kN-m]	4.21
Static Moment Ratings-Ma [lb-in]	37237
Static Moment Ratings-Mb [kN-m]	4.21
Static Moment Ratings-Mb [lb-in]	37237
Static Moment Ratings-Mc [kN-m]	7.38
Static Moment Ratings-Mc [lb-in]	65360
<b>Weight</b>	
Weight-Block [kg]	8.40
<b>Grease Fitting</b>	
Grease Fitting Part Number	B-PT-1/8