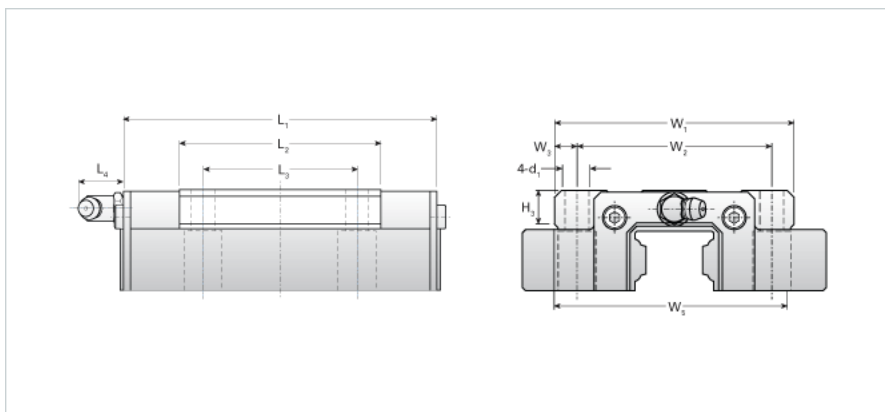
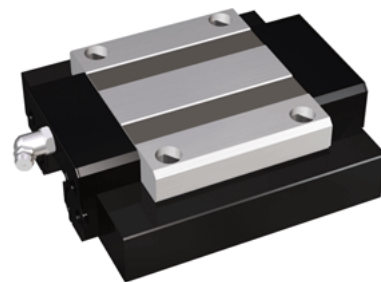


NH30TB

Call 800-321-7800 or visit us online at www.nookindustries.com to configure and order your NH30TB today!



Details	
Size [mm]	30
Dimensions	
L1 [mm]	111
L2 [mm]	68
L3 [mm]	52
L4 [mm]	10
d1 x l	M9x14
H3 [mm]	11
W1 [mm]	90
W2 [mm]	72
W3 [mm]	9
W5 [mm]	112
Forces and Torques	
Basic Load Ratings C [kN]	28.24
Basic Load Ratings C [lbf]	6347
Basic Load Ratings C0 [kN]	46.86
Basic Load Ratings C0 [lbf]	10535
Static Moment Ratings-Ma [kN-m]	0.43
Static Moment Ratings-Ma [lb-in]	3819
Static Moment Ratings-Mb [kN-m]	0.43
Static Moment Ratings-Mb [lb-in]	3819
Static Moment Ratings-Mc [kN-m]	0.72
Static Moment Ratings-Mc [lb-in]	6336
Weight	
Weight-Block [kg]	1.00
Grease Fitting	
Grease Fitting Part Number	B-M6F