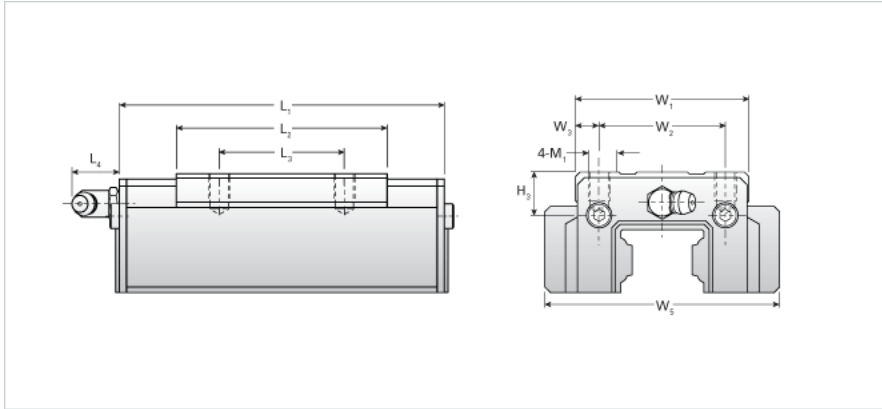
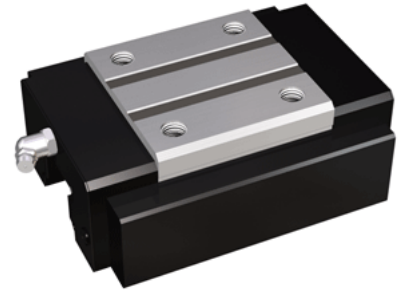


## NH35TR

Call 800-321-7800 or visit us online at [www.nookindustries.com](http://www.nookindustries.com) to configure and order your NH35TR today!



<b>Details</b>	
Size [mm]	35
<b>Dimensions</b>	
H3 [mm]	10
L1 [mm]	128
L2 [mm]	80
L3 [mm]	50
L4 [mm]	10
M1 x l	M8X12
W1 [mm]	70
W2 [mm]	50
W3 [mm]	10
W5 [mm]	92
<b>Forces and Torques</b>	
Basic Load Ratings C [kN]	37.55
Basic Load Ratings C [lbf]	8441
Basic Load Ratings C0 [kN]	62.55
Basic Load Ratings C0 [lbf]	14061
Static Moment Ratings-Ma [kN-m]	0.64
Static Moment Ratings-Ma [lb-in]	5642
Static Moment Ratings-Mb [kN-m]	0.64
Static Moment Ratings-Mb [lb-in]	5642
Static Moment Ratings-Mc [kN-m]	1.13
Static Moment Ratings-Mc [lb-in]	9982
<b>Weight</b>	
Weight-Block [kg]	1.50
<b>Grease Fitting</b>	
Grease Fitting Part Number	B-M6F