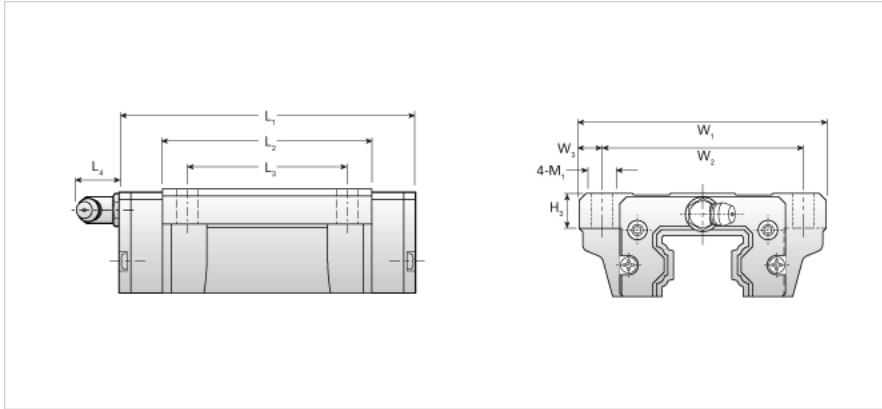
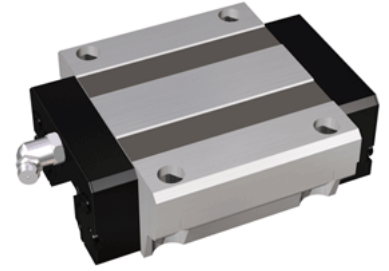


NH25EB

Call 800-321-7800 or visit us online at www.nookindustries.com to configure and order your NH25EB today!



Details	
Size [mm]	25
Dimensions	
L1 [mm]	83
L2 [mm]	59
L3 [mm]	45
L4 [mm]	12
H3 [mm]	10
M1 [mm]	7
W1 [mm]	70
W2 [mm]	57
W3 [mm]	6.5
D1 [mm]	7
Forces and Torques	
Basic Load Ratings C [kN]	20.00
Basic Load Ratings C [lbf]	4496
Basic Load Ratings C0 [kN]	34.42
Basic Load Ratings C0 [lbf]	7736
Static Moment Ratings-Ma [kN-m]	0.27
Static Moment Ratings-Ma [lb-in]	2430
Static Moment Ratings-Mb [kN-m]	0.27
Static Moment Ratings-Mb [lb-in]	2430
Static Moment Ratings-Mc [kN-m]	0.44
Static Moment Ratings-Mc [lb-in]	3906
Weight	
Weight-Block [kg]	0.69
Grease Fitting	
Grease Fitting Part Number	B-M6F