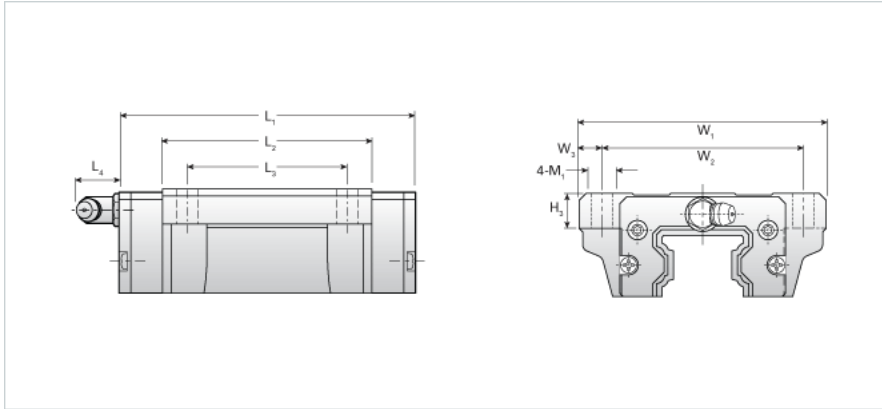
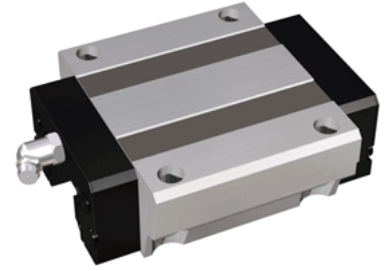


## NH20EB

Call 800-321-7800 or visit us online at [www.nookindustries.com](http://www.nookindustries.com) to configure and order your NH20EB today!



<b>Details</b>	
Size [mm]	20
<b>Dimensions</b>	
L1 [mm]	73
L2 [mm]	50
L3 [mm]	40
L4 [mm]	0
H3 [mm]	8
M1 [mm]	6
W1 [mm]	63
W2 [mm]	53
W3 [mm]	5
D1 [mm]	6
<b>Forces and Torques</b>	
Basic Load Ratings C [kN]	13.92
Basic Load Ratings C [lbf]	3130
Basic Load Ratings C0 [kN]	23.83
Basic Load Ratings C0 [lbf]	5157
Static Moment Ratings-Ma [kN-m]	0.16
Static Moment Ratings-Ma [lb-in]	1389
Static Moment Ratings-Mb [kN-m]	0.16
Static Moment Ratings-Mb [lb-in]	1389
Static Moment Ratings-Mc [kN-m]	0.26
Static Moment Ratings-Mc [lb-in]	2344
<b>Weight</b>	
Weight-Block [kg]	0.40
<b>Grease Fitting</b>	
Grease Fitting Part Number	NAS516-1A