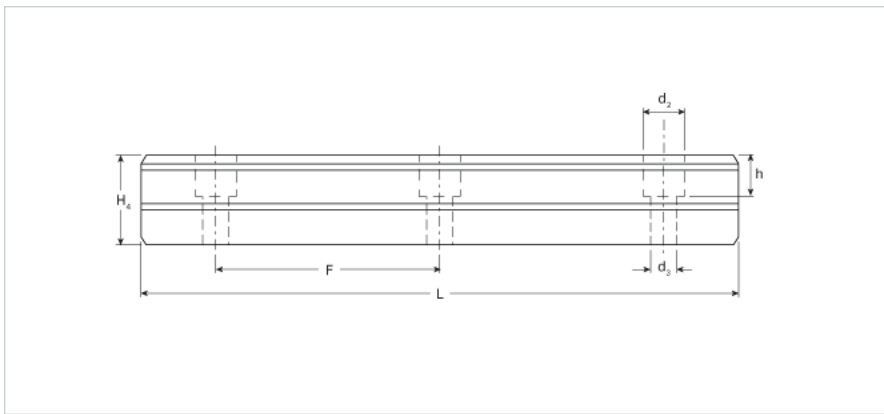


NH-45

Call 800-321-7800 or visit us online at www.nookindustries.com to configure and order your NH-45 today!



Details	
Size [mm]	45
Type	Standard
Dimensions	
d2 [mm]	20
d3 [mm]	14
h [mm]	21
H4 [mm]	42
F [mm]	105
W [mm]	45
Maximum Length [mm]	3000
Weight	
Weights-Rail [kg/m]	12.9