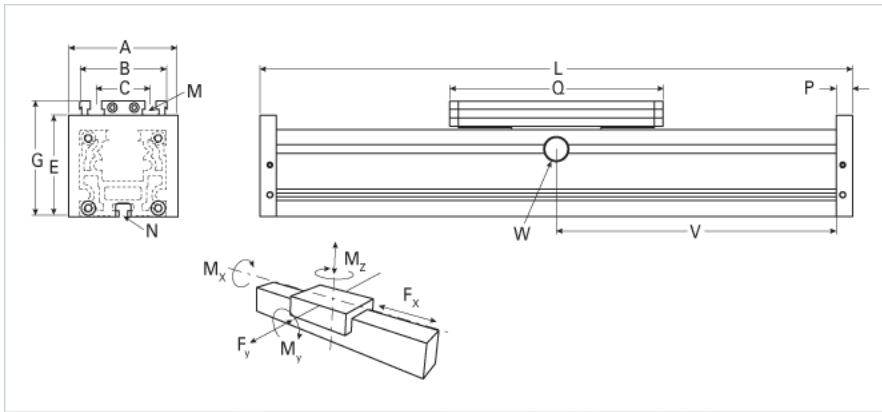
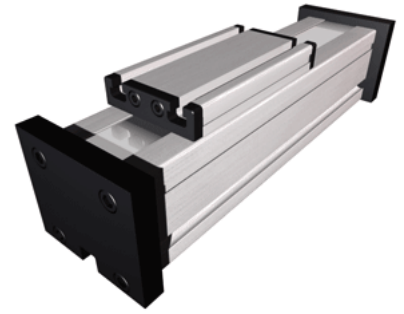


## QLR 100

Call 800-321-7800 or visit us online at [www.nookindustries.com](http://www.nookindustries.com) to configure and order your QLR 100 today!



<b>Details</b>	
Size	100
<b>Dimensions</b>	
Basic Length L [mm]	310
A [mm]	130
B [mm]	100
C [mm]	66
E [mm]	110
G [mm]	129
M	M10
N	M10
P [mm]	20
Q [mm]	260
<b>Speed</b>	
Speed Maximum [m/s]	7
<b>Forces and Torques</b>	
F <sub>x</sub> dynamic [N]	-
F <sub>y</sub> dynamic [N]	1500
F <sub>z</sub> dynamic [N]	1700
M <sub>x</sub> dynamic [Nm]	60
M <sub>y</sub> dynamic [Nm]	110
M <sub>z</sub> dynamic [Nm]	90
F <sub>x</sub> static [N]	-
F <sub>y</sub> static [N]	1900
F <sub>z</sub> static [N]	2100
M <sub>x</sub> static [Nm]	85
M <sub>y</sub> static [Nm]	140
M <sub>z</sub> static [Nm]	110
<b>Geometrical moments of inertia of aluminum profile</b>	
Elastic modulus [N/mm <sup>2</sup> ]	70000
I <sub>x</sub> [mm <sup>4</sup> ]	4300000
I <sub>y</sub> [mm <sup>4</sup> ]	4880000
<b>Weight</b>	
Additional Weight per 100 mm [kg]	1.42
Basic Weight [kg]	7.2