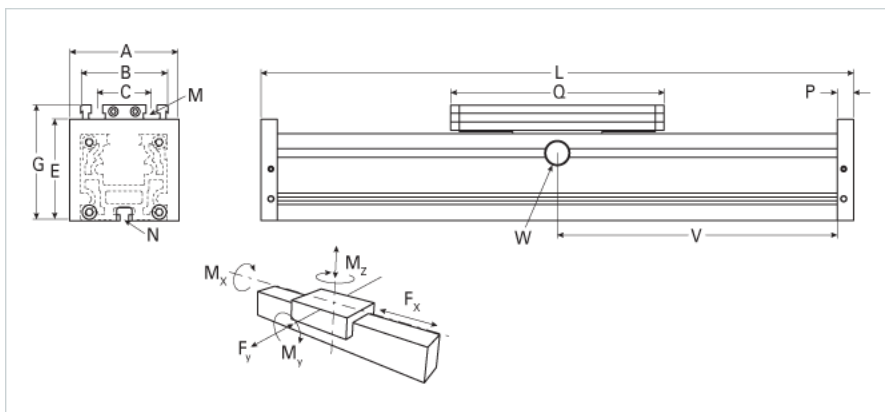
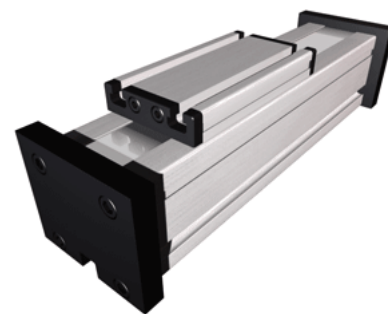


## QLR 80

Call 800-321-7800 or visit us online at [www.nookindustries.com](http://www.nookindustries.com) to configure and order your QLR 80 today!



<b>Details</b>	
Size	80
<b>Dimensions</b>	
Basic Length L [mm]	240
A [mm]	100
B [mm]	80
C [mm]	50
E [mm]	93
G [mm]	106
M	M8
N	M6
P [mm]	17
Q [mm]	196
<b>Speed</b>	
Speed Maximum [m/s]	6
<b>Forces and Torques</b>	
Fx dynamic [N]	-
Fy dynamic [N]	1240
Fz dynamic [N]	1200
Mx dynamic [Nm]	40
My dynamic [Nm]	80
Mz dynamic [Nm]	60
Fx static [N]	-
Fy static [N]	1600
Fz static [N]	1500
Mx static [Nm]	50
My static [Nm]	100
Mz static [Nm]	75
<b>Geometrical moments of inertia of aluminum profile</b>	
Elastic modulus [N/mm <sup>2</sup> ]	70000
Ix [mm <sup>4</sup> ]	1650000
Iy [mm <sup>4</sup> ]	1870000
<b>Weight</b>	
Additional Weight per 100 mm [kg]	0.75
Basic Weight [kg]	4.2