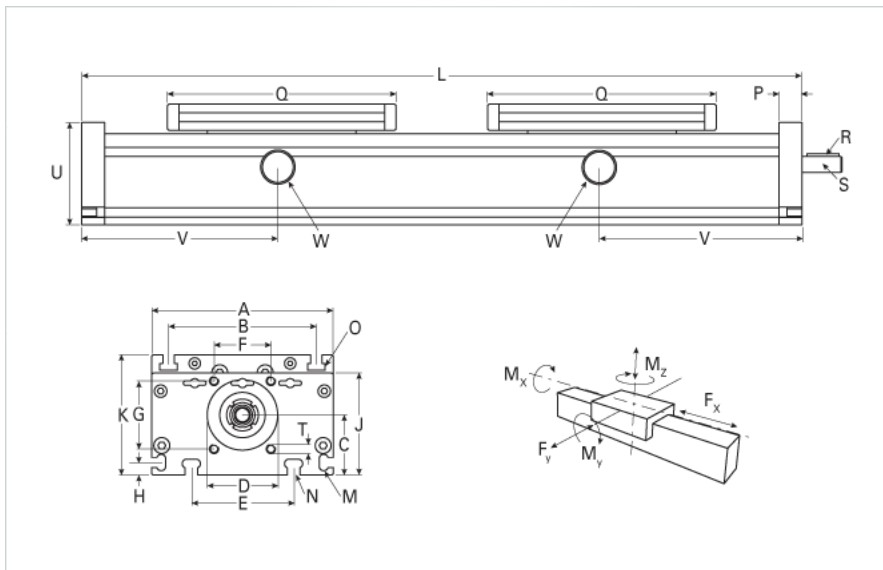
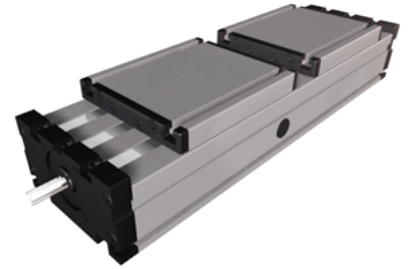


## DLT 160 Dual Carriage

Call 800-321-7800 or visit us online at [www.nookindustries.com](http://www.nookindustries.com) to configure and order your DLT 160 Dual Carriage today!



### Details

Size

160

### Dimensions

Basic Length L [mm]

470

A [mm]

160

B [mm]

130

C [mm]

53

D [mm]

62

E [mm]

90

F [mm]

50

G [mm]

60

H [mm]

11

J [mm]

90

K [mm]

106

M

M6

N

M8

O

M8

P [mm]

20

Q [mm]

200

Shaft R Key [mm]

5x5x28

Shaft S Diameter x Length [mm]

14 h6x35

T

M8

U [mm]

80

### Forces and Torques

No Load Torque-Dynamic

0.9

F<sub>x</sub> dynamic [N]

4000

F<sub>y</sub> dynamic [N]

2000

F<sub>z</sub> dynamic [N]

2800

M<sub>x</sub> dynamic [Nm]

320

M<sub>y</sub> dynamic [Nm]

300

M<sub>z</sub> dynamic [Nm]

150

F<sub>x</sub> static [N]

5000

F<sub>y</sub> static [N]

3000

F<sub>z</sub> static [N]

3500

M<sub>x</sub> static [Nm]

400

M<sub>y</sub> static [Nm]

360

M<sub>z</sub> static [Nm]

180

### Geometrical moments of inertia of aluminum profile

Elastic modulus [N/mm<sup>2</sup>]

70000

I<sub>x</sub> [mm<sup>4</sup>]

2220000

I<sub>y</sub> [mm<sup>4</sup>]

12200000

### Weight

Additional Weight per 100 mm [kg]

1.96

Basic Weight [kg]

12.0