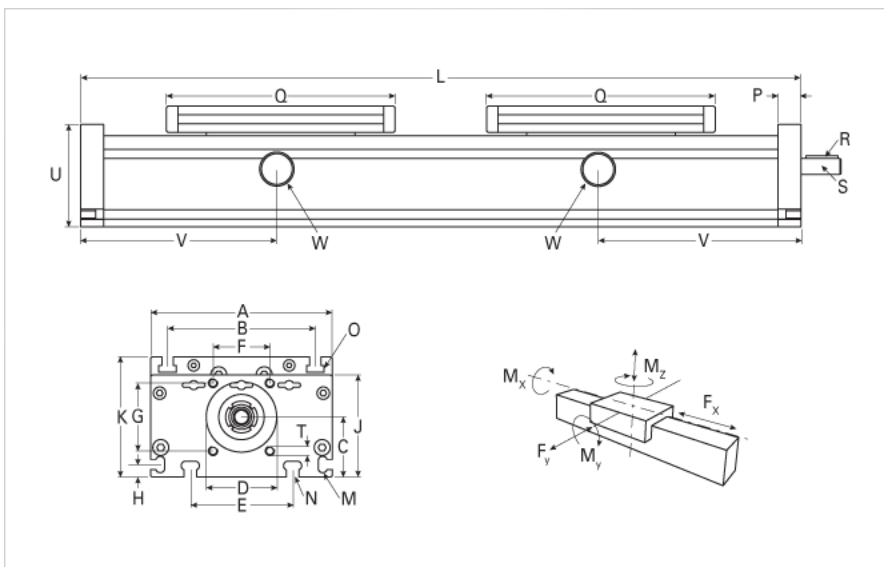
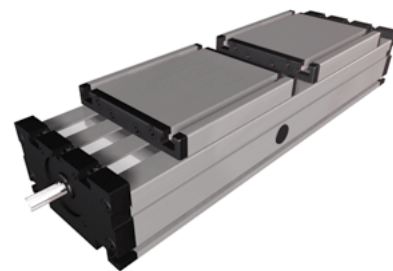


## DLT 120 Dual Carriage

Call 800-321-7800 or visit us online at [www.nookindustries.com](http://www.nookindustries.com) to configure and order your DLT 120 Dual Carriage today!



### Details

Size

120

### Dimensions

Basic Length L [mm]

360

A [mm]

120

B [mm]

96

C [mm]

39

D [mm]

47

E [mm]

78

F [mm]

42

G [mm]

42

H [mm]

10

J [mm]

68

K [mm]

79

M

M5

N

M6

O

M6

P [mm]

15

Q [mm]

156

Shaft R Key [mm]

3x3x25

Shaft S Diameter x Length [mm]

10 h6x27

T

M6

U [mm]

60

### Forces and Torques

No Load Torque-Dynamic

0.9

Fx dynamic [N]

800

Fy dynamic [N]

900

Fz dynamic [N]

1000

Mx dynamic [Nm]

125

My dynamic [Nm]

120

Mz dynamic [Nm]

90

Fx static [N]

900

Fy static [N]

1100

Fz static [N]

1250

Mx static [Nm]

150

My static [Nm]

140

Mz static [Nm]

100

### Geometrical moments of inertia of aluminum profile

Elastic modulus [N/mm<sup>2</sup>]

70000

Ix [mm<sup>4</sup>]

660000

Iy [mm<sup>4</sup>]

3860000

### Weight

Additional Weight per 100 mm [kg]

0.92

Basic Weight [kg]

5.1