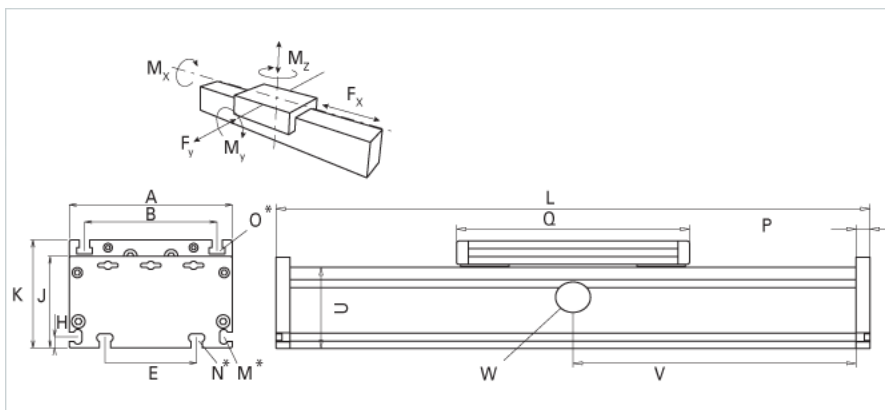
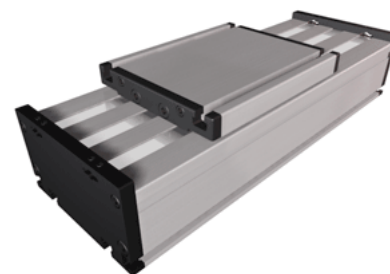


## DSR 200

Call 800-321-7800 or visit us online at [www.nookindustries.com](http://www.nookindustries.com) to configure and order your DSR 200 today!



<b>Details</b>	
Size	200
<b>Dimensions</b>	
Basic Length L [mm]	320
A [mm]	200
B [mm]	160
E [mm]	140
H [mm]	15
J [mm]	110
K [mm]	129
M	M8
N	M10
O	M10
P [mm]	15
Q [mm]	270
U [mm]	100
<b>Speed</b>	
Speed Maximum [m/s]	5
<b>Forces and Torques</b>	
Fy [N] 10000 km	4092
Fz [N] 10000 km	8977
Mx [Nm] 10000 km	597
My [Nm] 10000 km	646
Mz [Nm] 10000 km	684
Fy [N] 5000 km	5155
Fz [N] 5000 km	11311
Mx [Nm] 5000 km	752
My [Nm] 5000 km	813
Mz [Nm] 5000 km	862
<b>Geometrical moments of inertia of aluminum profile</b>	
Elastic modulus [N/mm <sup>2</sup> ]	70000
Ix [mm <sup>4</sup> ]	4810000
Iy [mm <sup>4</sup> ]	26000000
<b>Weight</b>	
Additional Weight per 100 mm [kg]	2.90
Basic Weight [kg]	15.0