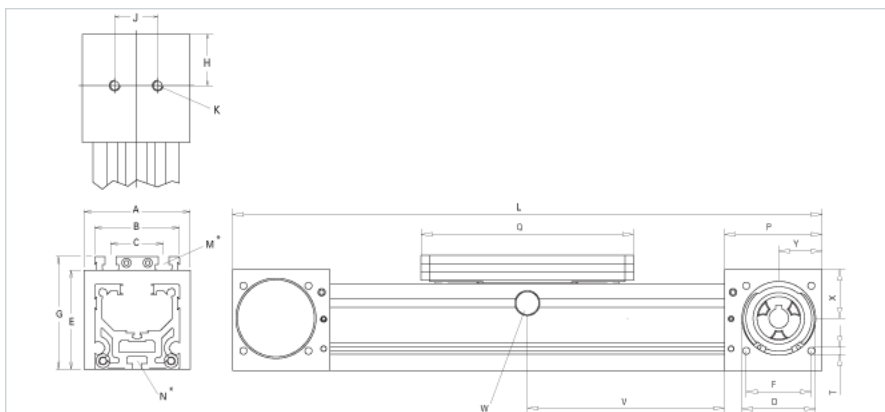
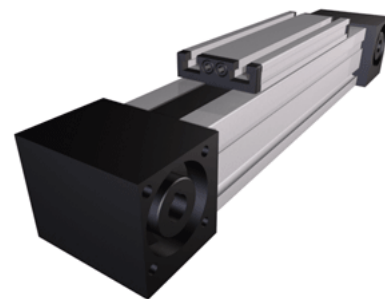


QSZ 100

Call 800-321-7800 or visit us online at www.nookindustries.com to configure and order your QSZ 100 today!



Details	
Size	100
Belt	8M50
mm/Rev	224
Number of Teeth	28
Pully Diameter [mm]	71.3
Dimensions	
Basic Length L [mm]	510
A [mm]	130
B [mm]	100
C [mm]	66
D [mm]	90
E [mm]	110
F [mm]	80
G [mm]	129
J [mm]	50
K	M12
M	M10
N	M10
P [mm]	110
Q [mm]	268
T	M10
X [mm]	49
Y [mm]	50
Shaft Diameter and Length [mm]	22 x 45
Key	6x6x40
Speed	
Speed Maximum [m/s]	5
Forces and Torques	
No-load torque [Nm]	1.8
Fx [N] 10000 km	3800
Fy [N] 10000 km	727
Fz [N] 10000 km	5671
Mx [Nm] 10000 km	56
My [Nm] 10000 km	311
Mz [Nm] 10000 km	292
Fx [N] 5000 km	4000
Fy [N] 5000 km	916
Fz [N] 5000 km	7146
Mx [Nm] 5000 km	70
My [Nm] 5000 km	439
Mz [Nm] 5000 km	412
Tensile force 0.2 sec [N]	4300
Tensile force permanent [N]	4000
Geometrical moments of inertia of aluminum profile	
Elastic modulus [N/mm ²]	70000
Ix [mm ⁴]	4300000
Iy [mm ⁴]	4880000
Weight	
Additional Weight per 100 mm [kg]	1.77
Basic Weight [kg]	15.9