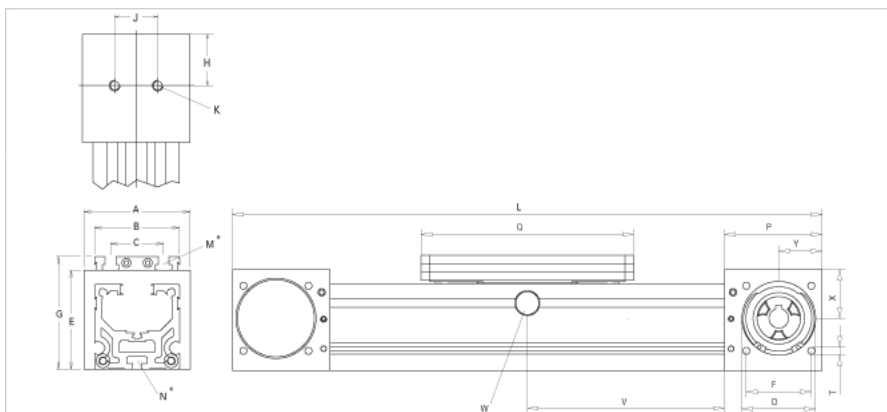
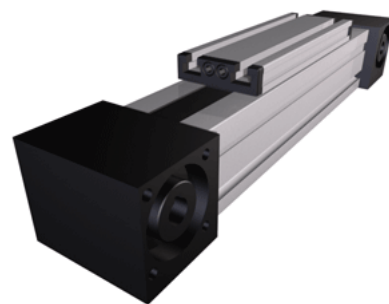


QSZ 60

Call 800-321-7800 or visit us online at www.nookindustries.com to configure and order your QSZ 60 today!



Details	
Size	60
Belt	5M25
mm/Rev	130
Number of Teeth	26
Pully Diameter [mm]	41.4
Dimensions	
Basic Length L [mm]	300
A [mm]	80
B [mm]	60
C [mm]	36
D [mm]	47
E [mm]	63
F [mm]	42
G [mm]	79
J [mm]	30
K	M8
M	M6
N	M5
P [mm]	59
Q [mm]	177
T	M6
X [mm]	27
Y [mm]	25
Shaft Diameter and Length [mm]	14 x 35
Key	5x5x28
Speed	
Speed Maximum [m/s]	5
Forces and Torques	
No-load torque [Nm]	1
Fx [N] 10000 km	800
Fy [N] 10000 km	218
Fz [N] 10000 km	2374
Mx [Nm] 10000 km	14
My [Nm] 10000 km	73
Mz [Nm] 10000 km	70
Fx [N] 5000 km	894
Fy [N] 5000 km	274
Fz [N] 5000 km	2991
Mx [Nm] 5000 km	18
My [Nm] 5000 km	104
Mz [Nm] 5000 km	100
Tensile force 0.2 sec [N]	1000
Tensile force permanent [N]	900
Geometrical moments of inertia of aluminum profile	
Elastic modulus [N/mm ²]	70000
Ix [mm ⁴]	430000
Iy [mm ⁴]	480000
Weight	
Additional Weight per 100 mm [kg]	0.53
Basic Weight [kg]	3.5