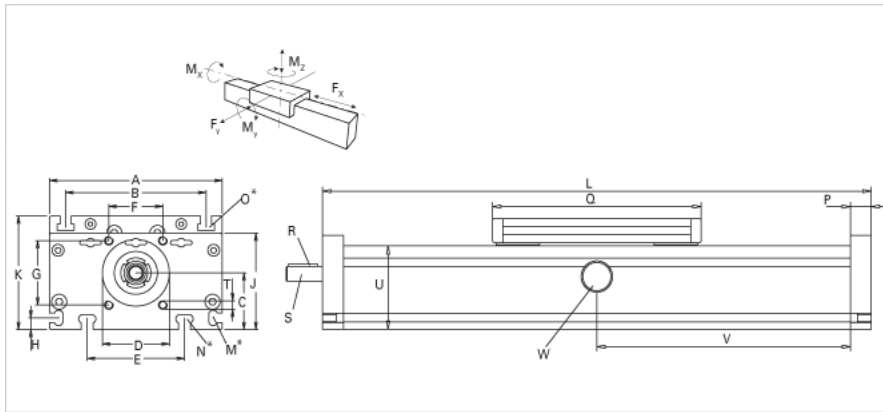
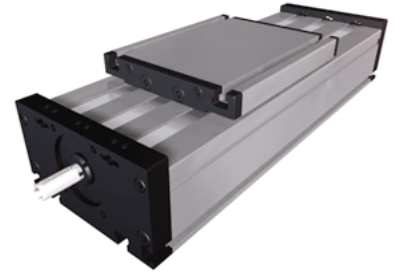


DSK 160

Call 800-321-7800 or visit us online at www.nookindustries.com to configure and order your DSK 160 today!



Details	
Size	160
Screw Options	25x5/20x20/25x10/25x25
Screw Type	Ball Screw
Dimensions	
Basic Length L [mm]	260
A [mm]	160
B [mm]	130
C [mm]	53
D [mm]	62
E [mm]	90
F [mm]	50
G [mm]	60
H [mm]	11
J [mm]	90
K [mm]	106
M	M6
N	M8
O	M8
P [mm]	20
Q [mm]	200
Shaft R Key [mm]	5X5X28
Shaft S Diameter x Length [mm]	14 h6x35
T	M8
U [mm]	80
Forces and Torques	
F _x [N] 10000 km	4000
F _y [N] 10000 km	3900
F _z [N] 10000 km	5020
M _x [Nm] 10000 km	255
M _y [Nm] 10000 km	262
M _z [Nm] 10000 km	258
F _x [N] 5000 km	5000
F _y [N] 5000 km	5570
F _z [N] 5000 km	7050
M _x [Nm] 5000 km	358
M _y [Nm] 5000 km	369
M _z [Nm] 5000 km	364
No-load torque [Nm]	1
Geometrical moments of inertia of aluminum profile	
Elastic modulus [N/mm ²]	70000
I _x [mm ⁴]	21300000
I _y [mm ⁴]	12300000
Weight	
Weight Per 100 mm [kg]	2.1
Basic Weight [kg]	7.2