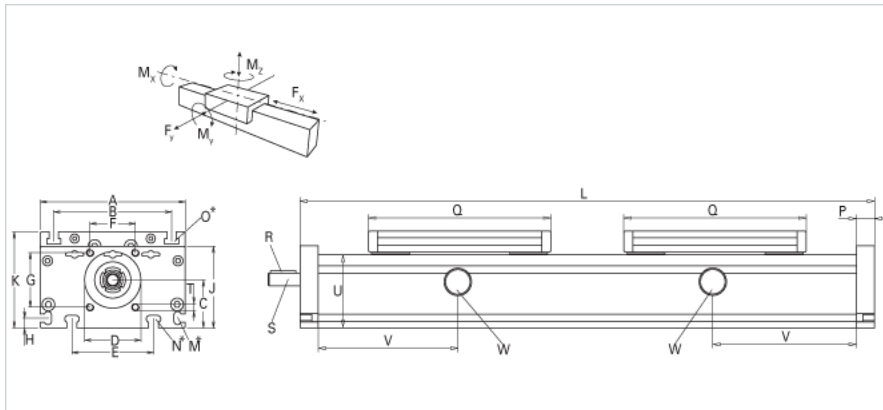


## DSK 160 Dual Carriage

Call 800-321-7800 or visit us online at [www.nookindustries.com](http://www.nookindustries.com) to configure and order your DSK 160 Dual Carriage today!



### Details

Size	160
Screw Options	25x5/20x20/25x10/25x25
Screw Type	Ball Screw

### Dimensions

Basic Length L [mm]	470
A [mm]	160
B [mm]	130
C [mm]	53
D [mm]	62
E [mm]	90
F [mm]	50
G [mm]	60
H [mm]	11
J [mm]	90
K [mm]	106
M	M6
N	M8
O	M8
P [mm]	20
Q [mm]	200
Shaft R Key [mm]	5X5X28
Shaft S Diameter x Length [mm]	14 h6x35
T	M8
U [mm]	80

### Forces and Torques

F <sub>x</sub> [N] 10000 km	4000
F <sub>y</sub> [N] 10000 km	3900
F <sub>z</sub> [N] 10000 km	5020
M <sub>x</sub> [Nm] 10000 km	255
M <sub>y</sub> [Nm] 10000 km	262
M <sub>z</sub> [Nm] 10000 km	258
F <sub>x</sub> [N] 5000 km	5000
F <sub>y</sub> [N] 5000 km	5570
F <sub>z</sub> [N] 5000 km	7050
M <sub>x</sub> [Nm] 5000 km	358
M <sub>y</sub> [Nm] 5000 km	369
M <sub>z</sub> [Nm] 5000 km	364
No-load torque [Nm]	1

### Geometrical moments of inertia of aluminum profile

Elastic modulus [N/mm <sup>2</sup> ]	70000
I <sub>x</sub> [mm <sup>4</sup> ]	21300000
I <sub>y</sub> [mm <sup>4</sup> ]	12300000

### Weight

Weight Per 100 mm [kg]	2.1
Basic Weight [kg]	7.2