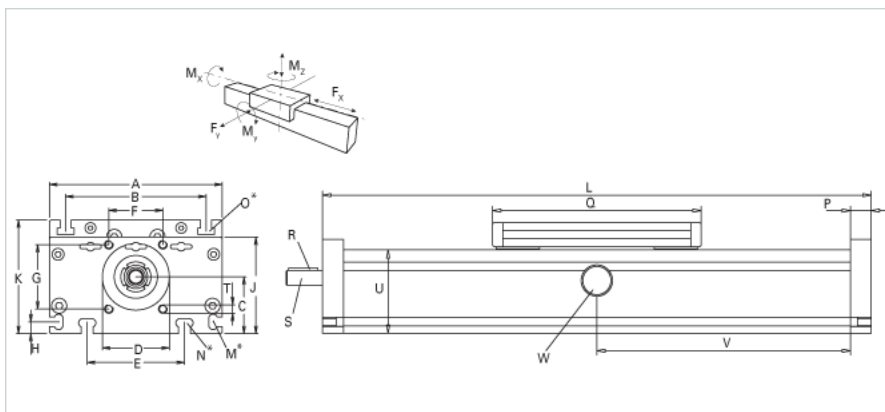
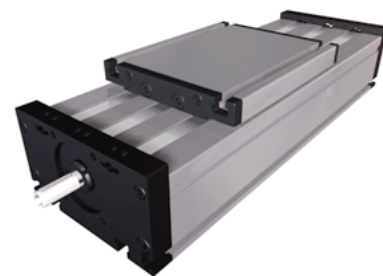


DST 160

Call 800-321-7800 or visit us online at www.nookindustries.com to configure and order your DST 160 today!



| Details | |
|--|-------------|
| Size | 160 |
| Screw Options | 24x5/24x10 |
| Screw Type | Trapexoidal |
| Dimensions | |
| Basic Length L [mm] | 260 |
| A [mm] | 160 |
| B [mm] | 130 |
| C [mm] | 53 |
| D [mm] | 62 |
| E [mm] | 90 |
| F [mm] | 50 |
| G [mm] | 60 |
| H [mm] | 11 |
| J [mm] | 90 |
| K [mm] | 106 |
| M | M6 |
| N | M8 |
| O | M8 |
| P [mm] | 20 |
| Q [mm] | 200 |
| Shaft R Key [mm] | 5X5X28 |
| Shaft S Diameter x Length [mm] | 14 h6x35 |
| T | M8 |
| U [mm] | 80 |
| Forces and Torques | |
| F _x [N] 10000 km | 4000 |
| F _y [N] 10000 km | 3900 |
| F _z [N] 10000 km | 5020 |
| M _x [Nm] 10000 km | 255 |
| M _y [Nm] 10000 km | 262 |
| M _z [Nm] 10000 km | 258 |
| F _x [N] 5000 km | 5000 |
| F _y [N] 5000 km | 5570 |
| F _z [N] 5000 km | 7050 |
| M _x [Nm] 5000 km | 358 |
| M _y [Nm] 5000 km | 369 |
| M _z [Nm] 5000 km | 364 |
| No-load torque [Nm] | 1 |
| Geometrical moments of inertia of aluminum profile | |
| Elastic modulus [N/mm ²] | 70000 |
| I _x [mm ⁴] | 21300000 |
| I _y [mm ⁴] | 12300000 |
| Weight | |
| Weight Per 100 mm [kg] | 2.1 |
| Basic Weight [kg] | 7.2 |