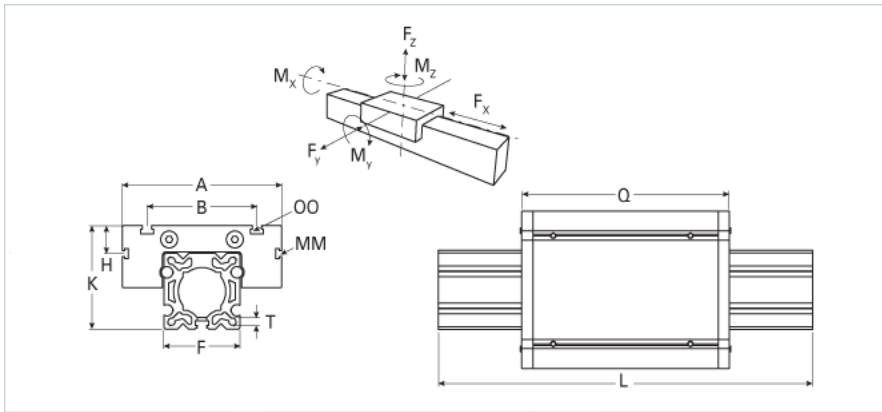
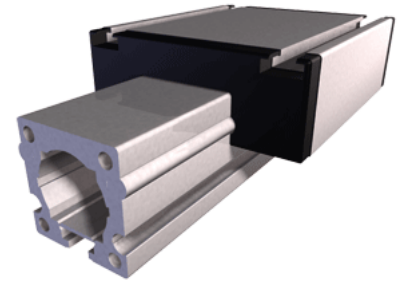


## ER 100

Call 800-321-7800 or visit us online at [www.nookindustries.com](http://www.nookindustries.com) to configure and order your ER 100 today!



<b>Details</b>	
Size	100
<b>Dimensions</b>	
Basic Length L [mm]	300
A [mm]	230
B [mm]	155
F [mm]	80
G [mm]	-
H [mm]	29
J	M10
K [mm]	139
MM	M10
OO	M10
Q [mm]	300
T-Diameter	M10
<b>Forces and Torques</b>	
Fx dynamic [N]	-
Fy dynamic [N]	6500
Fz dynamic [N]	2200
Mx dynamic [Nm]	230
My dynamic [Nm]	270
Mz dynamic [Nm]	500
Fx static [N]	-
Fy static [N]	8000
Fz static [N]	3600
Mx static [Nm]	300
My static [Nm]	400
Mz static [Nm]	750
<b>Geometrical moments of inertia of aluminum profile</b>	
Elastic modulus [N/mm <sup>2</sup> ]	70000
Ix [mm <sup>4</sup> ]	4440000
Iy [mm <sup>4</sup> ]	4480000
<b>Weight</b>	
Additional Weight per 100 mm [kg]	1.50
Basic Weight [kg]	10.8