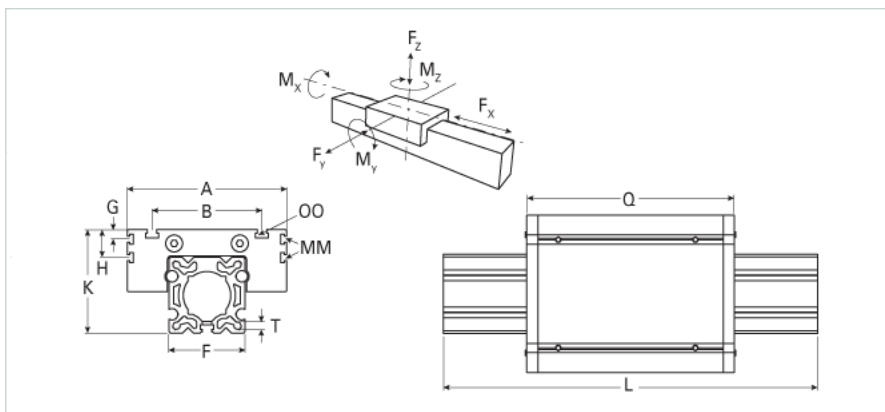
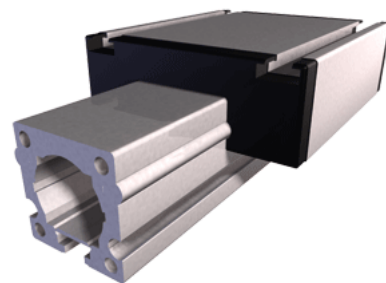


ER 80S

Call 800-321-7800 or visit us online at www.nookindustries.com to configure and order your ER 80S today!



| Details | |
|---|---------|
| Size | 80S |
| Dimensions | |
| Basic Length L [mm] | 220 |
| A [mm] | 190 |
| B [mm] | 126 |
| F [mm] | 64 |
| G [mm] | 12.5 |
| H [mm] | 30 |
| J | M6-M10 |
| K [mm] | 111 |
| MM | M6 |
| OO | M8 |
| Q [mm] | 214 |
| T-Diameter | M8 |
| Forces and Torques | |
| Fx dynamic [N] | - |
| Fy dynamic [N] | 2600 |
| Fz dynamic [N] | 1800 |
| Mx dynamic [Nm] | 140 |
| My dynamic [Nm] | 230 |
| Mz dynamic [Nm] | 220 |
| Fx static [N] | - |
| Fy static [N] | 4600 |
| Fz static [N] | 3000 |
| Mx static [Nm] | 170 |
| My static [Nm] | 270 |
| Mz static [Nm] | 300 |
| Geometrical moments of inertia of aluminum profile | |
| Elastic modulus [N/mm ²] | 70000 |
| Ix [mm ⁴] | 1899000 |
| Iy [mm ⁴] | 1897000 |
| Weight | |
| Additional Weight per 100 mm [kg] | 0.90 |
| Basic Weight [kg] | 4.7 |