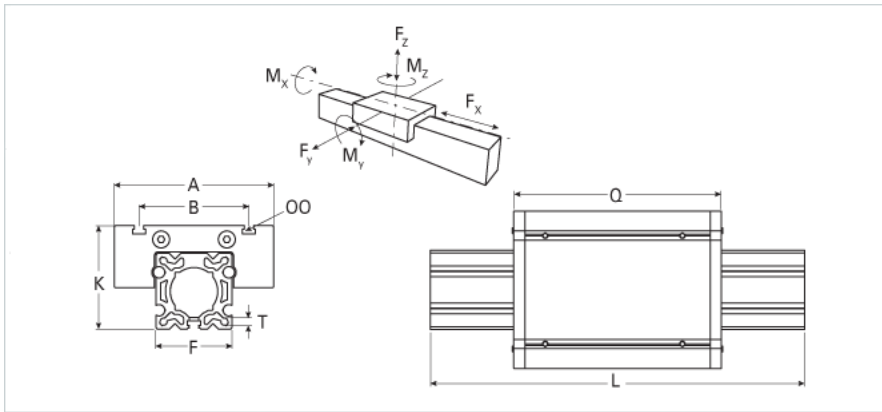
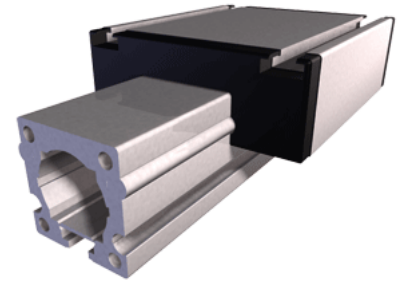


ER 30

Call 800-321-7800 or visit us online at www.nookindustries.com to configure and order your ER 30 today!



Details	
Size	30
Dimensions	
Basic Length L [mm]	82
A [mm]	70
B [mm]	56
F [mm]	23
G [mm]	-
H [mm]	-
J	M6
K [mm]	41
MM	-
OO	M6
Q [mm]	82
T-Diameter	M4
Forces and Torques	
Fx dynamic [N]	-
Fy dynamic [N]	60
Fz dynamic [N]	60
Mx dynamic [Nm]	5
My dynamic [Nm]	6
Mz dynamic [Nm]	7
Fx static [N]	-
Fy static [N]	90
Fz static [N]	90
Mx static [Nm]	10
My static [Nm]	13
Mz static [Nm]	14
Geometrical moments of inertia of aluminum profile	
Elastic modulus [N/mm ²]	70000
Ix [mm ⁴]	40900
Iy [mm ⁴]	40000
Weight	
Additional Weight per 100 mm [kg]	0.12
Basic Weight [kg]	0.5