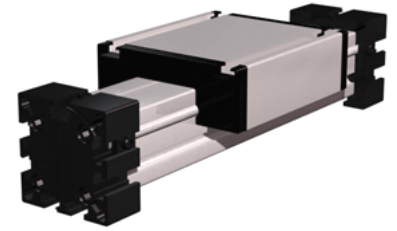
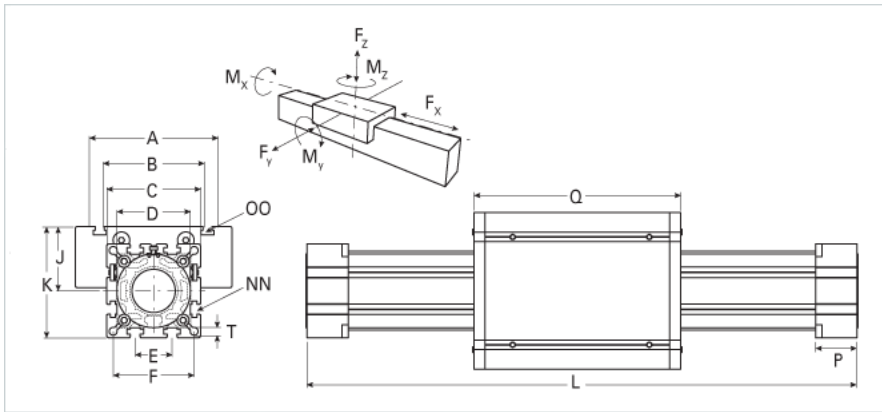


## ELR 30

Call 800-321-7800 or visit us online at [www.nookindustries.com](http://www.nookindustries.com) to configure and order your ELR 30 today!



Details	
Size	30
<b>Dimensions</b>	
Basic Length L [mm]	120
A [mm]	70
B [mm]	56
C [mm]	42
D [mm]	40x1
E [mm]	13
F [mm]	35
G [mm]	-
H [mm]	-
K [mm]	47
MM	-
NN	M6
OO	M6
P [mm]	18
Q [mm]	82
T-Diameter [mm]	4.2
<b>Forces and Torques</b>	
Fx dynamic [N]	-
Fy dynamic [N]	60
Fz dynamic [N]	60
Mx dynamic [Nm]	5
My dynamic [Nm]	6
Mz dynamic [Nm]	7
Fx static [N]	-
Fy static [N]	90
Fz static [N]	90
Mx static [Nm]	10
My static [Nm]	13
Mz static [Nm]	14
No-load torque Maximum [m/s]	3
<b>Geometrical moments of inertia of aluminum profile</b>	
Elastic modulus [N/mm <sup>2</sup> ]	70000
Ix [mm <sup>4</sup> ]	40900
Iy [mm <sup>4</sup> ]	40000
<b>Weight</b>	
Additional Weight per 100 mm [kg]	0.12
Basic Weight [kg]	0.5