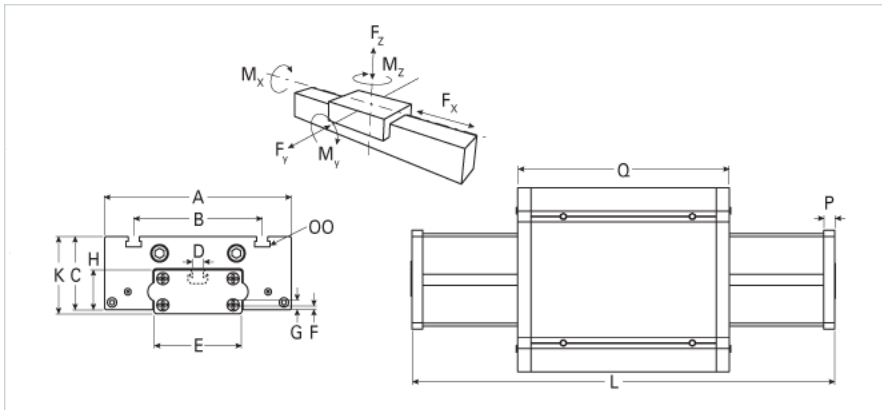
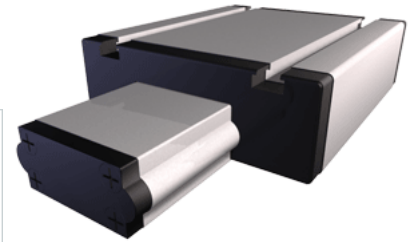


## E 60

Call 800-321-7800 or visit us online at [www.nookindustries.com](http://www.nookindustries.com) to configure and order your E 60 today!



### Details

Size

60

### Dimensions

Basic Length L [mm]

186

A [mm]

144

B [mm]

96

C [mm]

48

D [mm]

10

E [mm]

60

F [mm]

7

G [mm]

12.5

H [mm]

30

K [mm]

49

MM

-

OO

M8

P [mm]

8

Q [mm]

168

R [mm]

-

### Speed

Speed Maximum [m/s]

5

### Forces and Torques

Fx dynamic [N]

-

Fy dynamic [N]

2000

Fz dynamic [N]

1100

Mx dynamic [Nm]

43

My dynamic [Nm]

70

Mz dynamic [Nm]

100

Fx static [N]

-

Fy static [N]

3000

Fz static [N]

1700

Mx static [Nm]

67

My static [Nm]

90

Mz static [Nm]

120

### Geometrical moments of inertia of aluminum profile

Elastic modulus [N/mm<sup>2</sup>]

70000

Ix [mm<sup>4</sup>]

170000

Iy [mm<sup>4</sup>]

610000

### Weight

Additional Weight per 100 mm [kg]

0.20

Basic Weight [kg]

2.2