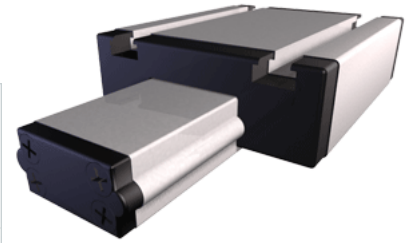
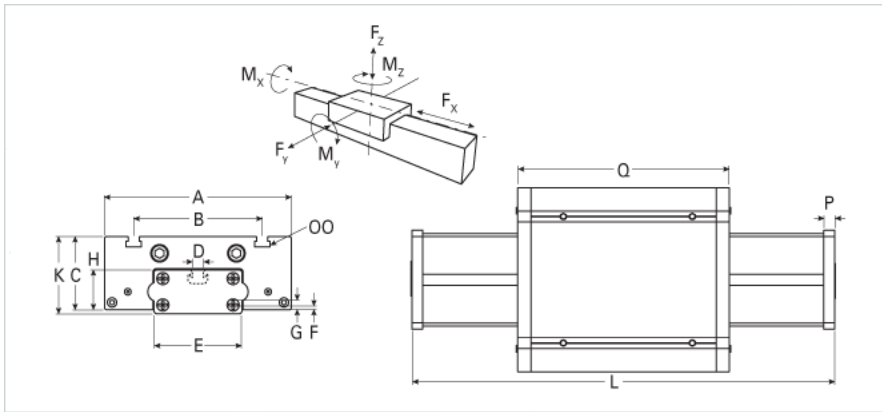


E 40

Call 800-321-7800 or visit us online at www.nookindustries.com to configure and order your E 40 today!



Details	
Size	40
Dimensions	
Basic Length L [mm]	136
A [mm]	100
B [mm]	66
C [mm]	34.5
D [mm]	10
E [mm]	40
F [mm]	7
G [mm]	12.5
H [mm]	22
K [mm]	37
MM	-
OO	M6
P [mm]	6
Q [mm]	122
R [mm]	-
Speed	
Speed Maximum [m/s]	4
Forces and Torques	
Fx dynamic [N]	-
Fy dynamic [N]	700
Fz dynamic [N]	650
Mx dynamic [Nm]	20
My dynamic [Nm]	18
Mz dynamic [Nm]	25
Fx static [N]	-
Fy static [N]	1200
Fz static [N]	900
Mx static [Nm]	25
My static [Nm]	32
Mz static [Nm]	35
Geometrical moments of inertia of aluminum profile	
Elastic modulus [N/mm ²]	70000
Ix [mm ⁴]	15700
Iy [mm ⁴]	65400
Weight	
Additional Weight per 100 mm [kg]	0.13
Basic Weight [kg]	1.0