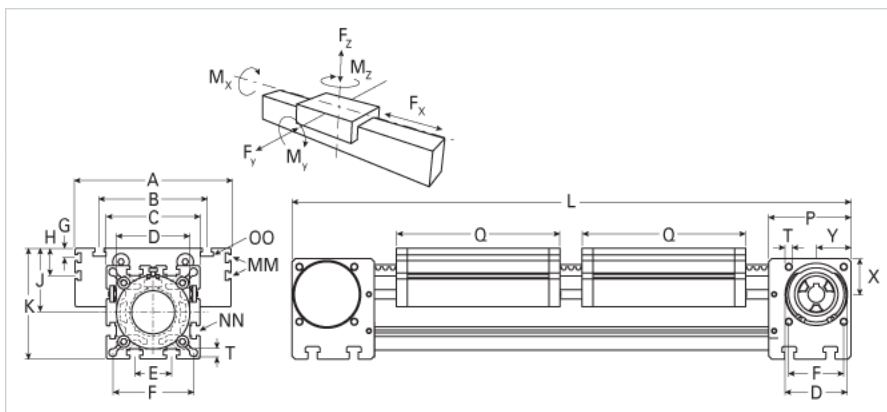
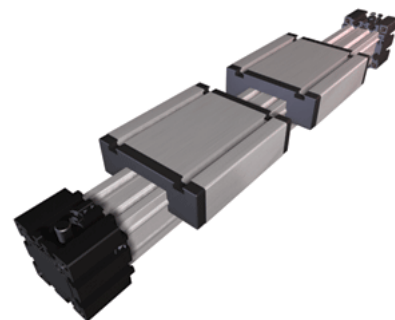


## ELVZ 80S Dual Carriage

Call 800-321-7800 or visit us online at [www.nookindustries.com](http://www.nookindustries.com) to configure and order your ELVZ 80S Dual Carriage today!



| <b>Details</b>  |         |
|---|---------|
| Size  | 80S     |
| Belt  | 5M25    |
| mm/Rev  | 110     |
| Number of Teeth   | 22      |
| <b>Dimensions</b>   |         |
| Basic Length L [mm]                                       | 610     |
| A [mm]  | 190     |
| B [mm]  | 126     |
| C [mm]  | 102     |
| D [mm]  | 80x1    |
| E [mm]  | 40      |
| F [mm]  | 88      |
| G [mm]  | 12.5    |
| H [mm]  | 30      |
| J [mm]  | 71      |
| K [mm]  | 122     |
| MM  | M6      |
| NN  | M10     |
| OO  | M8      |
| P [mm]  | 90      |
| Q [mm]  | 214     |
| T [mm]  | 8.5     |
| U [mm]  | 38      |
| V [mm]  | 47      |
| W [mm]  | 18      |
| X [mm]  | 40      |
| Y [mm]  | 50      |
| Z   | M8      |
| Shaft Diameter and Length [mm]                            | 18 x 45 |
| Key   | 6x6x40  |
| <b>Speed</b>  |         |
| Speed Maximum [m/s]                                       | 4       |
| <b>Forces and Torques</b>                                 |         |
| No-load torque [Nm]                                       | 1.2     |
| Tensile force 0.2 sec [N]                                 | 1150    |
| Tensile force permanent [N]                               | 100     |
| Fx dynamic [N]  | 840     |
| Fy dynamic [N]  | 3600    |
| Fz dynamic [N]  | 1800    |
| Mx dynamic [Nm]   | 140     |
| My dynamic [Nm]   | 230     |
| Mz dynamic [Nm]   | 200     |
| Fx static [N]   | 1000    |
| Fy static [N]   | 4600    |
| Fz static [N]   | 3000    |
| Mx static [Nm]  | 170     |
| My static [Nm]  | 270     |
| Mz static [Nm]  | 300     |
| <b>Geometrical moments of inertia of aluminum profile</b> |         |
| Elastic modulus [N/mm <sup>2</sup> ]                      | 70000   |
| Ix [mm <sup>4</sup> ]                                     | 1899000 |
| Iy [mm <sup>4</sup> ]                                     | 1897000 |

| <b>Weight</b>                          |       |
|--|-------|
| Additional Weight per 100 mm [kg]      | 1.00  |
| Basic Weight [kg]                      | 15.0  |
| <b>Values for Calculating Inertias</b> |       |
| Pulley Material                        | Steel |
| Pulley Diameter [mm]                   | 35.01 |
| Effective Pulley Width [mm]            | 102   |
| Belt Weight [kg/m]                     | 0.256 |
| Standard Carriage Weight [kg]          | 3.52  |
| No-load torque [Nm]                    | 1.2   |
| Friction Coefficient                   | 0.01  |