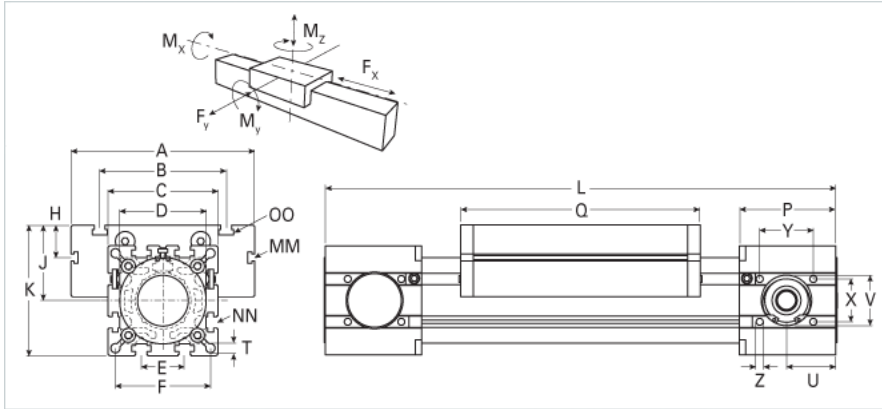
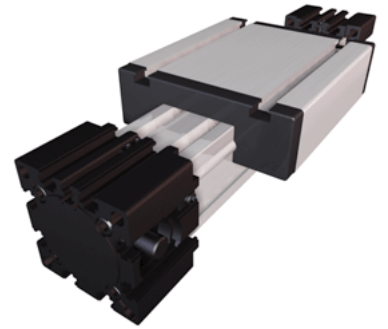


ELHZ 100

Call 800-321-7800 or visit us online at www.nookindustries.com to configure and order your ELHZ 100 today!



| Details | |
|---|---------|
| Size | 100 |
| Belt | 8M48 |
| mm/Rev | 144 |
| Number of Teeth | 18 |
| Pully Diameter [mm] | 45.8 |
| Dimensions | |
| Basic Length L [mm] | 530 |
| A [mm] | 230 |
| B [mm] | 155 |
| C [mm] | 130 |
| D [mm] | 110x1 |
| E [mm] | 50 |
| F [mm] | 112 |
| G [mm] | - |
| H [mm] | 30 |
| J [mm] | 89 |
| K [mm] | 154 |
| MM | M10 |
| NN | M10 |
| OO | M10 |
| P [mm] | 110 |
| Q [mm] | 300 |
| T [mm] | 10.5 |
| U [mm] | 45 |
| V [mm] | 68 |
| W [mm] | 19 |
| X [mm] | 50 |
| Y [mm] | 64 |
| Z | M10 |
| Shaft Diameter and Length [mm] | 22 x 45 |
| Key | 6x6x40 |
| Speed | |
| Speed Maximum [m/s] | 5 |
| Forces and Torques | |
| No-load torque [Nm] | 1.2 |
| Tensile force 0.2 sec [N] | 3400 |
| Tensile force permanent [N] | 3100 |
| Fx dynamic [N] | 2600 |
| Fy dynamic [N] | 6500 |
| Fz dynamic [N] | 2200 |
| Mx dynamic [Nm] | 230 |
| My dynamic [Nm] | 270 |
| Mz dynamic [Nm] | 500 |
| Fx static [N] | 3100 |
| Fy static [N] | 8000 |
| Fz static [N] | 3600 |
| Mx static [Nm] | 300 |
| My static [Nm] | 400 |
| Mz static [Nm] | 750 |
| Geometrical moments of inertia of aluminum profile | |
| Elastic modulus [N/mm ²] | 70000 |
| Ix [mm ⁴] | 4440000 |

| | |
|-----------------------------------|---------|
| ly [mm ⁴] | 4480000 |
| Weight | |
| Additional Weight per 100 mm [kg] | 1.60 |
| Basic Weight [kg] | 24 |