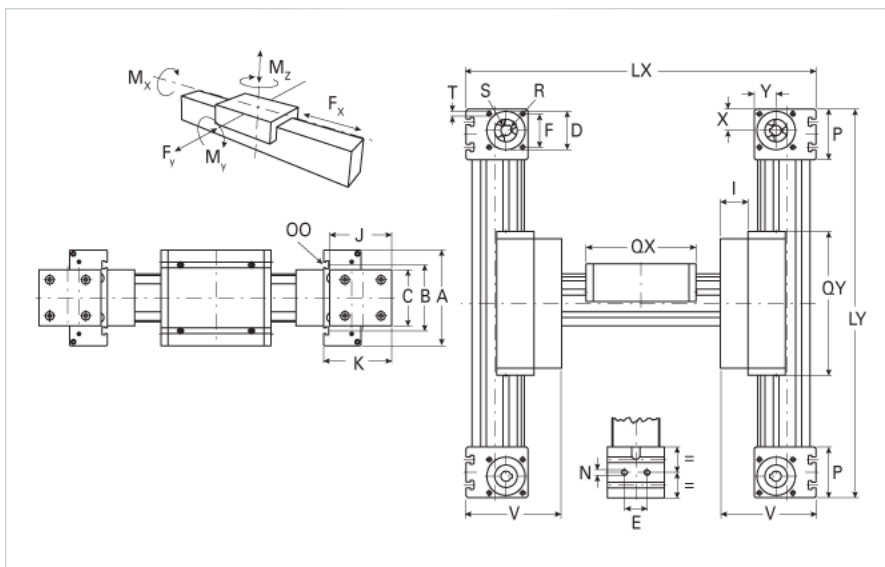


ELZU 30

Call 800-321-7800 or visit us online at www.nookindustries.com to configure and order your ELZU 30 today!



Details

| | |
|---------------------|------|
| Size | 30 |
| Belt | 3M12 |
| mm/Rev | 75 |
| Number of Teeth | 25 |
| Pully Diameter [mm] | 23.9 |

Dimensions

| | |
|--------------------------------|--------|
| Basic length Lx [mm] | 240 |
| Basic length Ly [mm] | 210 |
| A [mm] | 70 |
| B [mm] | 56 |
| C [mm] | 42 |
| D [mm] | 28 |
| E [mm] | 13 |
| F [mm] | 25 |
| G [mm] | - |
| H [mm] | - |
| I [mm] | 27 |
| J [mm] | 44 |
| K [mm] | 47 |
| MM | - |
| N | M5 |
| OO | M6 |
| P [mm] | 36 |
| Qx [mm] | 82 |
| Qy [mm] | 126 |
| T | M5 |
| V [mm] | 74 |
| X [mm] | 16 |
| Y [mm] | 16 |
| Shaft Diameter and Length [mm] | 6 x 15 |
| Key | 2x2x12 |

Speed

| | |
|---------------------|---|
| Speed Maximum [m/s] | 2 |
|---------------------|---|

Forces and Torques

| | |
|-----------------------------|-----|
| No-load torque [Nm] | 0.2 |
| Tensile force 0.2 sec [N] | 280 |
| Tensile force permanent [N] | 200 |
| Fx dynamic [N] | 180 |
| Fy dynamic [N] | 60 |
| Fz dynamic [N] | 60 |
| Mx dynamic [Nm] | 5 |
| My dynamic [Nm] | 6 |
| Mz dynamic [Nm] | 7 |
| Fx static [N] | 200 |
| Fy static [N] | 90 |
| Fz static [N] | 90 |

| | |
|---|-------|
| Mx static [Nm] | 10 |
| My static [Nm] | 13 |
| Mz static [Nm] | 14 |
| Geometrical moments of inertia of aluminum profile | |
| Elastic modulus [N/mm ²] | 70000 |
| Ix [mm ⁴] | 40900 |
| Iy [mm ⁴] | 40900 |
| Weight | |
| Additional Weight per 100 mm [kg] | 0.13 |
| Basic Weight [kg] | 6.3 |